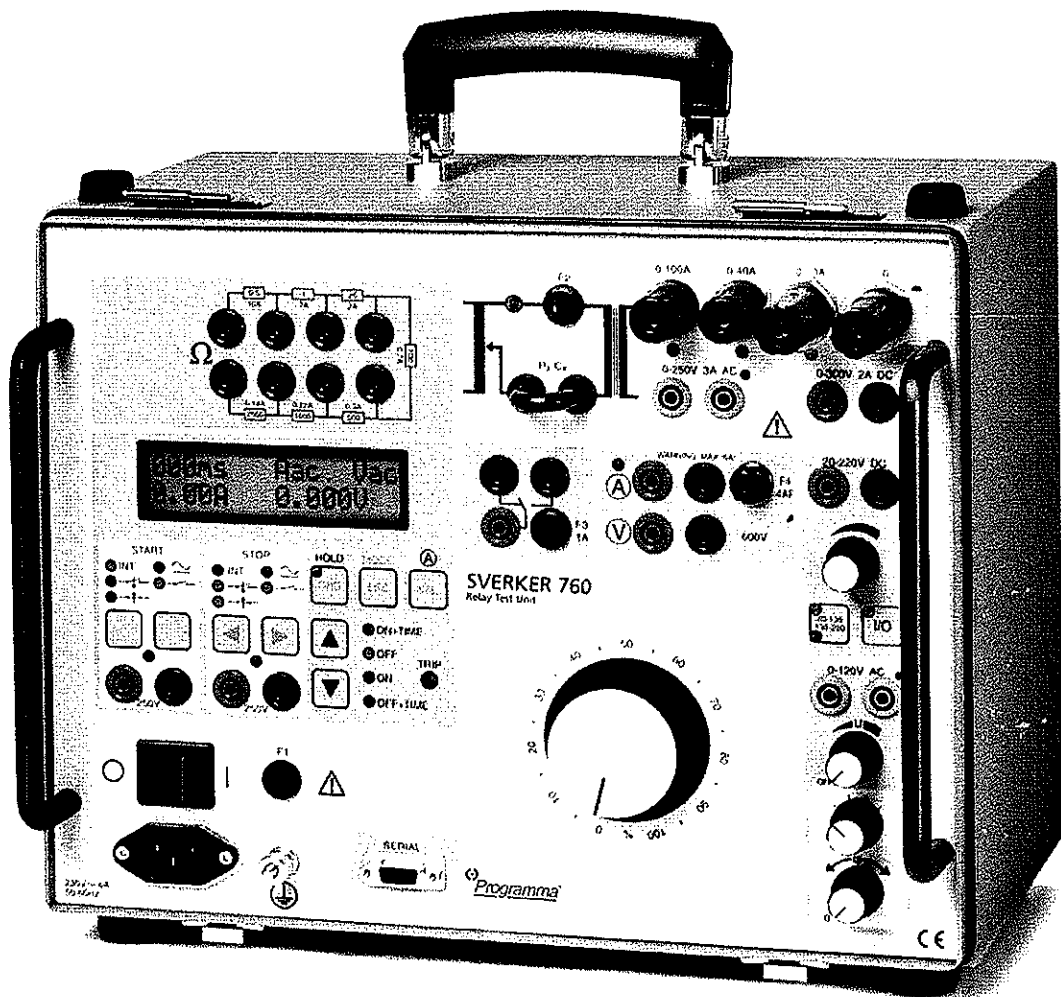


# SVERKER 750/760

Relay Test Unit

User's manual



Programma

# User's manual

## SVERKER 750/760

Relay Test Unit

#### NOTICE OF COPYRIGHT & PROPRIETARY RIGHTS

© 2007, Programma Electric AB. All rights reserved.

The contents of this manual are the property of Programma Electric AB. No part of this work may be reproduced or transmitted in any form or by any means, except as permitted in written license agreement with Programma Electric AB. Programma Electric AB has made every reasonable attempt to ensure the completeness and accuracy of this document. However, the information contained in this manual is subject to change without notice, and does not represent a commitment on the part of Programma Electric AB. Any attached hardware schematics and technical descriptions, or software listings that disclose source code, are for informational purposes only. Reproduction in whole or in part to create working hardware or software for other than Programma Electric AB products is strictly prohibited, except as permitted by written license agreement with Programma Electric AB.

#### TRADEMARK NOTICES

Programma® is a registered trademark of Programma Electric AB. All other brand and product names mentioned in this document are trademarks or registered trademarks of their respective companies.

Programma Electric AB  
Eldarvågen 4  
Box 2970  
SE-187 29 TÄBY  
Sweden

T +46 8 510 195 00  
F +46 8 510 195 95  
info@programma.se  
www.programma.se



# Contents

<b>1 Safety regulations</b> .....	<b>6</b>	4.10 Resistor set and capacitor .....	24
<b>2 Introduction</b> .....	<b>7</b>	Sverker 750 .....	24
2.1 Applications .....	7	Sverker 760 .....	24
2.2 Design and construction .....	8	4.11 Power supply .....	25
<b>3 Description</b> .....	<b>9</b>	4.12 Other .....	25
3.1 General .....	9	<b>5 Making settings on the display</b> .....	<b>26</b>
Sverker 750 control panel .....	9	5.1 Introduction .....	26
Sverker 760 control panel .....	9	5.2 Button functions .....	27
3.2 Current source .....	10	5.3 Direction indicator .....	27
3.3 Timer .....	11	5.4 The menu system .....	30
Start conditions .....	11	5.5 Test mode .....	32
Stop conditions .....	11	5.6 Injection .....	32
3.4 Trip indicator .....	12	5.7 Ammeter .....	33
3.5 Display .....	12	5.8 Voltmeter .....	33
3.6 Ammeter & voltmeter .....	13	5.9 $\Omega$ , $\varphi$ , W , VA... (Extra	
3.7 AC Voltage source .....	14	measurement) .....	34
Sverker 750 .....	14	5.10 Timer .....	35
Sverker 760 .....	14	5.11 Display .....	35
3.8 Auxiliary voltage source .....	14	5.12 Off delay .....	36
3.9 Make/Break contact .....	15	5.13 0-Level filter .....	36
3.10 Resistor set and capacitor .....	15	5.14 Save/Recall .....	37
3.11 Power supply .....	16	5.15 Remote control .....	37
3.12 Computer interface .....	16	5.16 Language .....	38
<b>4 Control panel</b> .....	<b>17</b>	5.17 SW .....	38
Sverker 750 control panel .....	17	<b>6 How to operate</b>	
Sverker 760 control panel .....	18	<b>Sverker</b> .....	<b>39</b>
4.2 Current source .....	19	6.1 General .....	39
4.3 Timer .....	20	6.2 Injecting current – General rules .....	39
4.4 Trip indicator .....	21	Output alarm .....	39
4.5 Display .....	21	6.3 Selecting the correct current output .....	40
4.6 Ammeter & voltmeter .....	22	6.4 Measuring current .....	40
4.7 AC Voltage source .....	23	6.5 Setting the desired current .....	41
Sverker 750 .....	23	6.6 Finding pick-up and drop-out limits	
Sverker 760 .....	23	for over (current/voltage/other entity)	
4.8 Auxiliary voltage source .....	23	relays .....	42
4.9 Make/Break contact .....	24		

6.7 Finding pick-up and drop-out limits for under (current/voltage/other entity) relays .....	43	overcurrent cut-outs that grant/deny starting permission .....	64
		Only for SVERKER 750 .....	64
6.8 Measuring operating times for over (current/voltage/other entity) relays .....	44	<b>8 Troubleshooting .....</b>	<b>65</b>
6.9 Measuring operating times for under (current/voltage/other entity) relays .....	45	8.1 General .....	65
6.10 Measuring voltage .....	45	8.2 Displayed values .....	65
6.11 Obtaining the correct phase angle when two or more AC outputs are being used .....	46	8.3 Error messages etc. ....	66
6.12 Generating higher voltages .....	46	<b>9 Specifications .....</b>	<b>67</b>
6.13 Setting an auxiliary voltage .....	47	9.1 General .....	67
6.14 Testing voltage relays – both pre-fault and fault voltages .....	47	9.3 Inputs .....	68
Only for SVERKER 750 .....	47	9.4 Make/Break contact .....	69
6.15 Changing the current and voltage phase difference .....	48	9.5 Measurement section .....	70
Sverker 750 .....	48	9.6 Other .....	72
Sverker760 .....	48	<b>10 Maintenance .....</b>	<b>73</b>
6.16 Measuring the phase angle .....	49	10.1 Changing the position of the switch for mains frequency (Sverker 760) .....	73
6.17 Measuring external cycle time (measurement not initiated by Sverker) .....	50	<b>Index .....</b>	<b>74</b>
6.18 Measuring Z, P, R, X, VA, VAR and $\cos \varphi$ .....	50		
6.19 Plotting a magnetization curve .....	51		
6.20 Testing an automatic recloser .....	52		
6.21 Measuring the trip pulse length ...	53		
6.22 Injecting current – External start ...	53		
<b>7 Application examples .....</b>	<b>54</b>		
7.1 Testing voltage relays .....	54		
7.2 Testing over-current relays .....	55		
7.3 Testing directional over-current relay systems or directional ground-fault (earth-fault) relay systems .....	57		
Sverker 760 .....	57		
Sverker 750 .....	58		
7.4 Testing power relays .....	60		
7.5 Testing under- voltage relays .....	62		
7.6 Testing motor overload releases and			

# 1 Safety regulations

---

**IMPORTANT!**

Read and comply with the following instructions.  
Always comply with local safety regulations.  
The Sverker 750/760 is equipped with a mains plug having a third (earthing, grounding) pin. This plug will only fit into an earthing/grounding-type power outlet.



**WARNING!**

**FIRST OF ALL**, connect protective earth (ground). Use the green/yellow cable.

**NEVER** connect the Sverker 750/760 to an external voltage if the protective earth (ground) is not connected.

Always use safety connecting leads.

Always turn the Sverker 750/760 off before connecting.

Generated voltages and currents may be harmful to the operator or the device under test.

The Sverker 750/760 should be operated only from the type of power source indicated on its nameplate.

Never spill water or other liquid of any kind on the Sverker 750/760.

Unplug the Sverker 750/760 from the wall outlet before cleaning. Use a damp cloth for cleaning. Do not use liquid cleaners or aerosol cleaners.

Do not use auxiliary equipment not recommended by the Sverker 750/760 manufacturer since this may cause hazards.

Do not attempt to service the Sverker 750/760 yourself. Opening or removing covers may expose you to dangerous voltage and other hazards.

---

---

**IMPORTANT!**

For added protection during a lightning storm, or when the Sverker 750/760 is left unattended and unused for long periods of time, unplug it from the wall outlet. This will prevent damage due to lightning and power line surges.

If, for some reason, you need to return your Sverker 750/760, please use either the original transport box or one of equivalent strength.

---

# 2 Introduction

## 2.1 Applications

Sverker 750/760 is intended primarily for testing relay protection equipment, but it can also be used for many other purposes. Virtually all single-phase relay protection equipment that does not require variable frequency can be tested, and Sverker 750/760 can also test three-phase relay protection equipment that can be tested phase by phase. Moreover, many relay protection systems that require phase shifting can be tested.

Items that can be tested using Sverker 750/760 include:

---

Plotting excitation curves

---

Current and voltage transformation ratio tests

---

Burden measurement for relay protection equipment

---

Impedance measurement

---

Efficiency tests

---

Polarity (direction) tests

---

Type of relay	IEEE standard code
Overcurrent relay	50/76
Inverse time overcurrent relay	51
Undercurrent relay	37
Ground fault relay	50
Directional overcurrent relay	67
Directional ground fault relay	67N
Overvoltage relay	59
Undervoltage relay	27
Directional voltage relay	91
Directional power relay	32
Power factor relay	55
Differential protection (differential circuit)	87
Distance protection equipment (phase by phase)	21
Negative sequence overcurrent relay	46N
Motor overload protection	51/86
Automatic reclosing devices	79
Tripping relays	94
Voltage regulating relay	
Overimpedance relay (Z greater than ...)	
Underimpedance relay (Z less than ...)	
Thermal relay	
Time-delay relay	
<b>Other applications</b>	

## 2.2 Design and construction

The current source built into Sverker can provide 0-10 A, 0-40 A, 0-100 A, 0-250 V AC or 0-300 V DC. Timing and generation (output) can be carried out simultaneously. When the relay protection equipment trips, both output and timing are interrupted.

---

**Note!** *The current output depends on the burden of the relay (circuit). This means that it is possible to get high output currents, over the maximum measurement range of 250 A.*

---

There is also a separate built-in AC voltage source. It can be varied from 0 to 120 V AC, and it is used to supply the relay voltage input.

A 20-220 V DC voltage source is used to provide auxiliary voltage.

Using transformer technology in Sverker design gives both advantages and disadvantages. One disadvantage is that the quality of the output signal is depending on the quality of the input voltage. If the main voltage is distorted the output signal will also be distorted.

Sverker is equipped with a timer, ammeter and voltmeter, and these instruments can also be used to indicate resistance, impedance, phase angle, power and power factor. Moreover, these instruments can be used for measurements in external circuits.

A set of resistors and a capacitor are provided, and they can be connected into the circuits being tested to provide phase shifts, fine adjustments and the like.

A make/break contact can be used to synchronize other circuits with tests that are being conducted.

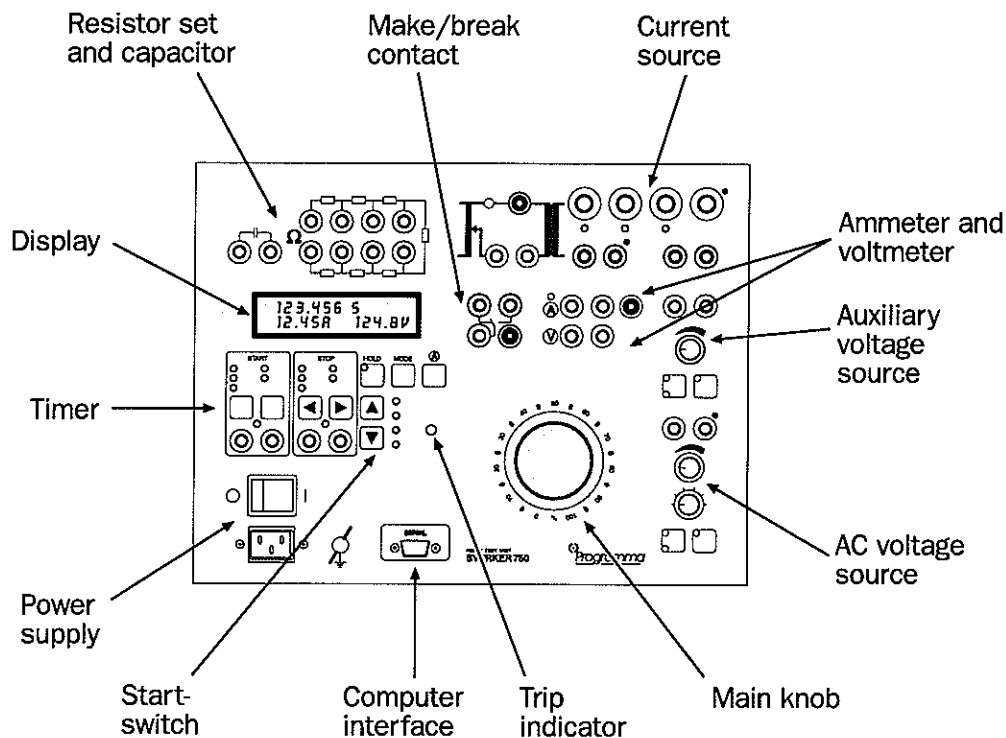
Sverker settings are made using knobs and other controls on the control panel. Numerous other settings can be made via the display window built into the control panel.

# 3 Description

## 3.1 General

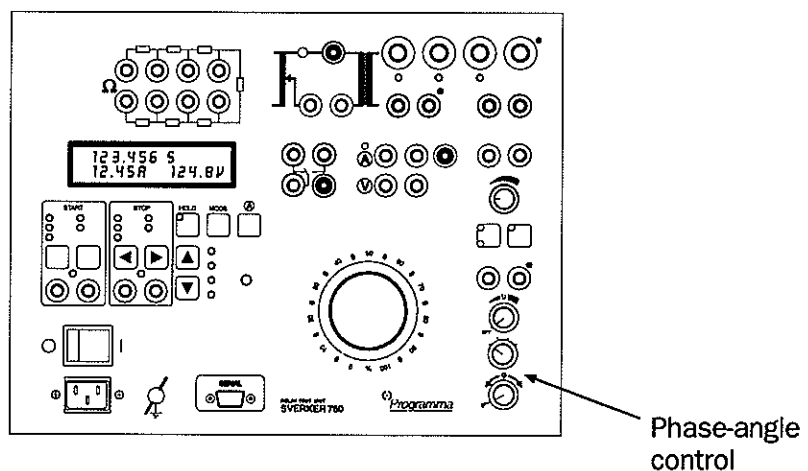
This chapter presents a general description of Sverker and the types of functions it performs. For more detailed descriptions, please see Chapters 4 and 5.

### Sverker 750 control panel



### Sverker 760 control panel

The front panel of Sverker 760 is almost the same as Sverker 750's. The differences are that there is no capacitor terminals in the upper left corner and the AC voltage source has a phase-angle control.



## 3.2 Current source

The main source built into Sverker can provide 0-100 A, 0-40 A, 0-10 A, 0-250 V AC or 0-300 V DC, depending on which output is used. As a rule, this current source is used to provide simulated sudden-change fault conditions for the object being tested.

Values are set using the main knob on the control panel. Current, voltage and other settings appear on the display. See section headed "Ammeter and voltmeter".

Generation is turned on and off using the start switch which has four positions:

Indication	State	Used to
ON+TIME	Current source is activated until the object being tested has operated. The time is then displayed, whereupon Sverker returns automatically to the OFF mode*.	Measure operating times for over-current/voltage/other entity relays.
OFF	Current source is turned off.	Turn off the current source.
ON	Current source is turned on (activated).	Make settings and find pick-up / drop-out limits.
OFF+TIME	Current source is turned off. When the object being tested has operated, the time is displayed, whereupon Sverker returns automatically to the OFF mode.	Measure operating times for under-current/voltage/other entity relays.
*) When trip occurs, generation is interrupted after a number of mains cycles. This delay simulates the circuit breaker's breaking time. The length of delay can be set by the user.		

An indicator lamp to the right of the set of resistors is lighted during generation. Generation start-up is synchronized with the mains, thus eliminating inaccuracies in the test results attributable to the instant at which the start switch is activated.

There are a number of different types of generation, and they are selected via the display window (Chapter 5).

Type of generation	Explanation
Generation that continues until the object being tested trips	Generation continues until the timer stops.
Momentary (manually-controlled) generation	This permits the user to provide brief, manually-controlled generation that is interrupted immediately when the start switch is released.
Time-limited generation	Here, you can set a maximum time for generation. When it expires, generation is interrupted immediately.
Restarted generation (used to test automatic reclosing devices)	You can set the Sverker so that generation will be restarted (start again) when the timer start input is activated. This feature is used to test automatic reclosing devices.

## 3.3 Timer

Since the timer has a start input and a stop input, it can be used to measure external cycles as well as sequences initiated by Sverker. The measured time appears in the display window.

To test automatic reclosing devices, Sverker is able to measure a number of sequential time intervals and display the results later.

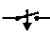
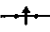
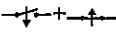
The inputs can be set individually to respond either to zero-potential contact operation or to a voltage (AC or DC).

### Input state indicators

At each timer START and STOP input there is an input state indicator lamp that indicates the state of the input. When the indicator lamp is lighted, it indicates either a closed circuit (for contact mode) or the presence of a voltage (for voltage mode). These indicators permit you to (for example) check the circuits involved before starting a test sequence.

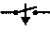
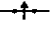
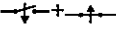
## Start conditions

The timer can be started in the following ways:

Indication	Start condition
INT	a) When an internal start occurs, i.e. for a test sequence started by Sverker (ON+TIME or OFF+TIME).
	b) When a voltage is applied to the start input or when a contact is closed.
	c) When a voltage applied to the start input vanishes or when a contact is opened.
	d) When the state of the input changes.

## Stop conditions

The timer can be stopped in the following ways:

Indication	Stop condition
INT	a) When an outgoing current is interrupted (internal detection).
	b) When a voltage is applied to the stop input or when a contact is closed.
	c) When a voltage applied to the stop input vanishes or when a contact is opened.
	d) When the state of the input changes.

## Measuring an external cycle

Before measuring, Sverker must be set to the ON+TIME state, whereupon the timer will also be cleared to zero.

### Clearing the timer

The timer will be cleared to zero when generation starts again.

### Testing automatic reclosing devices

A setting must be made via the display window before you can test automatic reclosing devices. ON+TIME is lighted throughout the entire cycle. Generation starts again each time the timer's start input is activated.

## 3.4 Trip indicator

When the stop condition is met, the TRIP indicator is lighted. This lamp indicates tripping of the relay protection equipment. When a test includes timing, this indicator lamp *flashes* when tripping occurs.

## 3.5 Display

Current, voltage and other entities can be shown on the display.

The display window is also used to make settings. To do this, you must put Sverker in the *setting mode* by pressing the button marked MODE.

## 3.6 Ammeter & voltmeter

Sverker is equipped with an ammeter and voltmeter. These instruments can also be used to display resistance, impedance, phase angle, power and power factor. Moreover, these instruments can be used to perform measurements in external circuits. In both cases, the values appear on the display.

The ammeter measures one of the following:

- Current at one of the current outputs 0-100 A, 0-40 A or 0-10 A.
- Current in an external circuit connected to the Sverker 750/760 ammeter panel input (marked **A**).

You select the desired measurement site (test point) using the button marked **A**, whereupon a indicator lamp lights at the selected measurement site.

The voltmeter shows the voltage connected to the voltmeter input (marked **V**) on the panel. This input is always activated.

The ammeter and voltmeter both change ranges automatically, but they can also be changed manually. For AC, they measure true RMS value. You can change from AC to DC and vice versa.

---

**Note!** *When using AUTO RANGE the measured value can be totally wrong. This can happen when a previous value was in another range than the present value. Set the correct range (see section 9.5) and/or repeat the same test again.*

---

A HOLD (freeze) function permits you to measure voltages and currents having durations as short as a quarter of the mains cycle. When the timer is stopped, the current and voltage values are frozen. If the timer is not stopped, the values present when the current was interrupted are frozen. The hold function is engaged by pressing the button marked **HOLD**. - - - - can sometimes appear during measurement of high-speed AC cycles when the hold function is invoked. This means that no value could be presented because the cycle was too short.

If O.F. (means overflow, i.e. a value beyond the measurement range) appears, the cycle being measured may have been so fast that there wasn't time for automatic range changing. In such case, you should repeat the measurement. The range-changing system is memory-equipped, and repeating

your measurement may give it time to make the change properly.

When current and/or voltage fluctuate widely, a filter can be engaged to make reading easier. The filter performs an averaging function.

Instead of having current and voltage shown in amperes and volts, you can have them shown as a percentage of a given current or voltage (the relay protection equipment's setting for example). A flashing current value means that the value is less than 1% of the range being used. To get a more accurate current reading, you can then measure via the ammeter input.

## 3.7 AC Voltage source

### Sverker 750

The AC voltage source provides 0-120 V AC (split into two ranges). It has two knobs of its own, one for rough and one for fine settings. Since the AC voltage source is separated from other outputs, it is set independently of the current source.

The AC voltage source is intended primarily for the relay protection equipment's voltage input. A set of resistors and a capacitor can be used to change the phase angle of the current and the voltage.

### Sverker 760

The AC voltage source provides 0-130 V AC with adjustable phase-angle. Since the AC voltage source is separated from other outputs, it is set independently of the current source.

The AC voltage source is intended primarily for the relay protection equipment's voltage input.

## 3.8 Auxiliary voltage source

The auxiliary voltage source provides 20-220 V DC (split into two ranges). It is equipped with overcurrent protection, and it is separate from the other outputs. Moreover, it can be used to supply the relay being tested.

### 3.9 Make/Break contact

There is a make/break contact that is actuated when Sverker 750 is set to the ON+TIME or OFF+TIME state. It can be used, for example, to synchronize other equipment or to change the voltage supplied to the relay protection equipment at the start of a test from non-faulty to faulty or vice versa.

### 3.10 Resistor set and capacitor

The resistor set and capacitor can be used to change the phase angle of the current and voltage.

---

**Note!** *There is no capacitor on the Sverker 760. The phase-angle is set with the knob at the AC voltage source.*

---

## 3.11 Power supply

The power supply is equipped with a miniature circuit breaker.

## 3.12 Computer interface

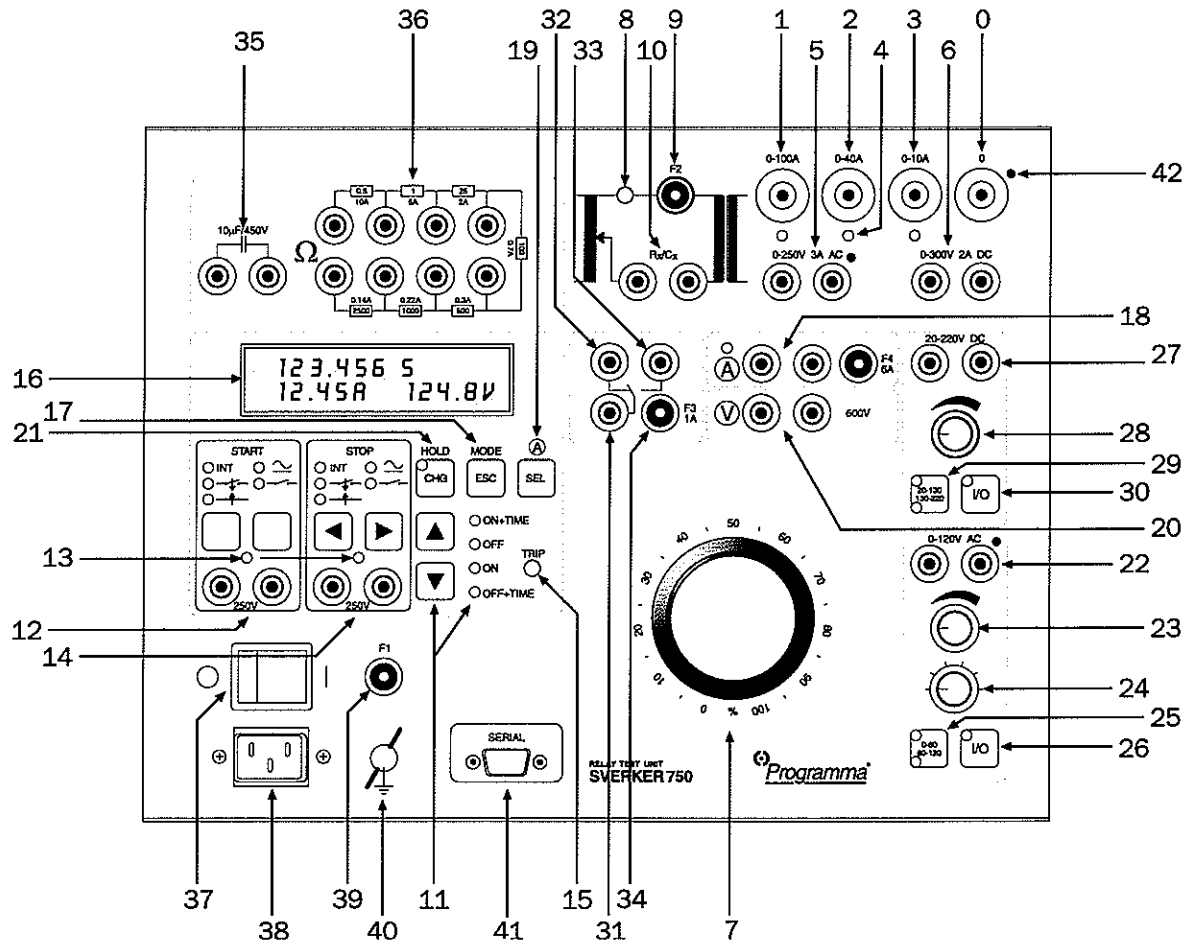
Sverker has a serial port for communication with computers and the Sverker Win software.

To be able to use the Sverker 750/760 with the software Sverker Win the Sverker 750/760 must be "unlocked" with a software key. You can check if your Sverker is "unlocked" by doing the following.

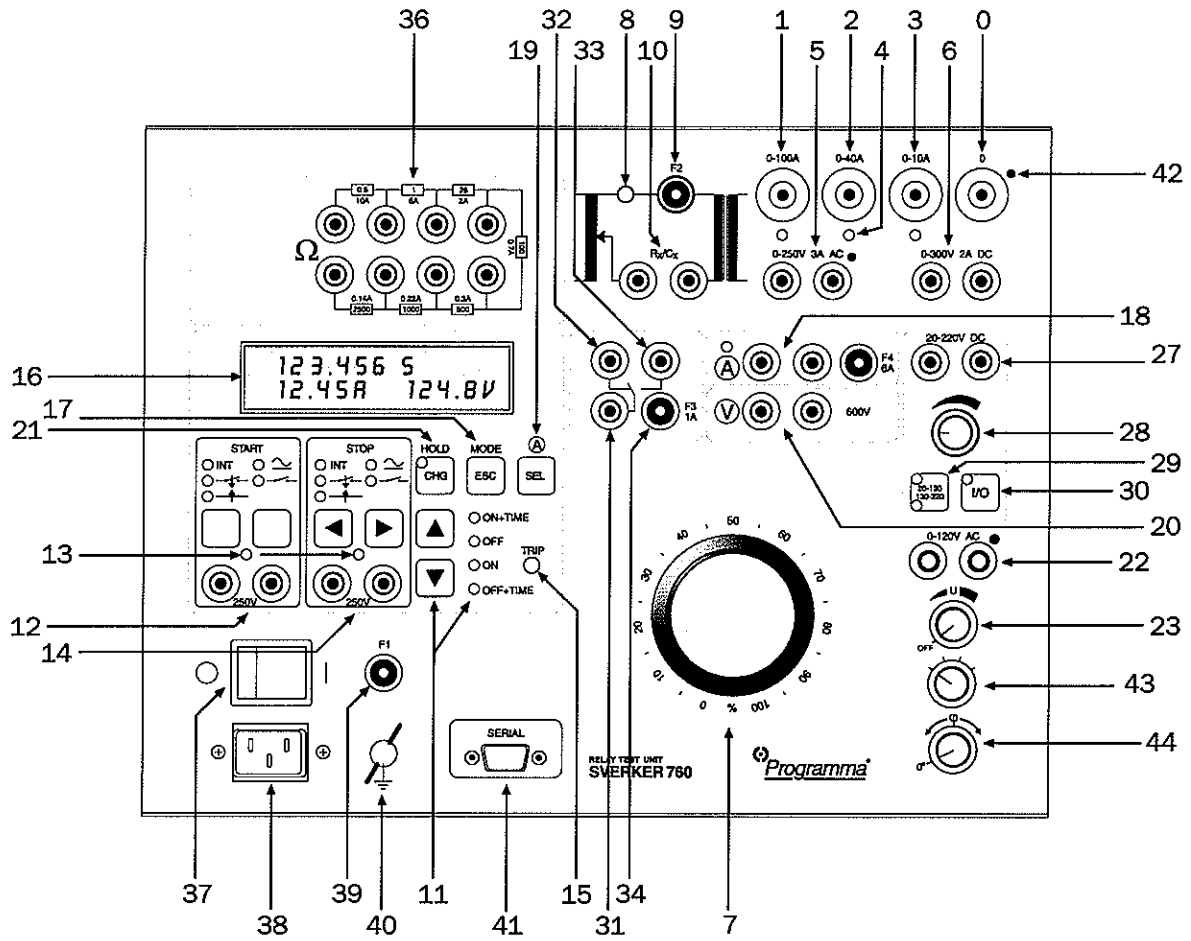
1. Press "MODE".
2. Press ▼ (down arrow) until you get to the bottom where the SW-version is displayed. If the text "PC-750" or "SVERKER WIN" is shown the Sverker is "unlocked".  
If the text is not shown you must order the software key for Sverker Win, (Art. No: CD-81000). When ordering you must mention the serial number of the Sverker 750/760.

# 4 Control panel

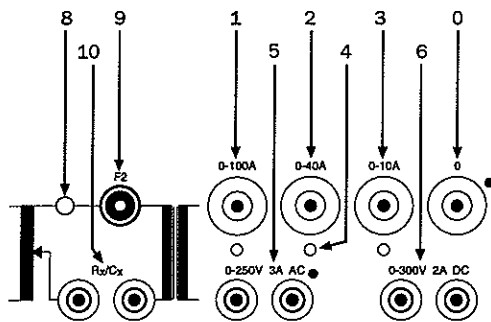
## Sverker 750 control panel



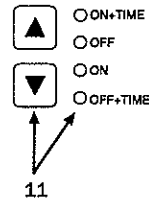
# Sverker 760 control panel



## 4.2 Current source



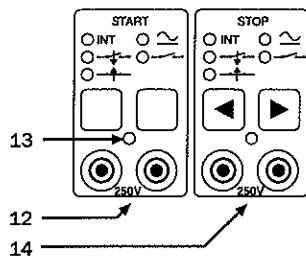
0. Neutral for current sources.
1. 0-100 A current output. Regulated with main knob 7.
2. 0-40 A current output. Regulated with main knob 7.
3. 0-10 A current output. Regulated with main knob 7.
4. Indicator lamp, ammeter test point. When this indicator lamp is lighted, Sverker is measuring current at the associated output. To change the measurement site, press the button marked A (item 19).
5. 0-250 V, 3 A, AC. AC voltage is variable from 0 to 250 V. Regulated with main knob 7.
6. 0-300 V, 2 A, DC. DC voltage is variable from 0 to 300 V. Regulated with main knob 7.
7. Main knob. Used to regulate the current source (outputs 1, 2, 3, 5 and 6).
8. Indicator lamp. When this indicator lamp is lighted, the current source is activated (outputs 1, 2, 3, 5 and 6).
9. F2. Miniature circuit breaker for the current source. 4 A (230 V), 8 A (115 V).
10. R<sub>x</sub>/C<sub>x</sub>. Connector for resistor or capacitor. To obtain a smoother characteristic, connect one or more resistors in series. To change the phase angle 90° (on Sverker 750), connect the capacitor. A jumper must be connected to this connector when it is not being used.
11. Start switch. Turns the current source on and off. Use the ↑ and ↓ buttons to select the desired mode.



Indication	What is meant
ON+TIME	Current source is activated until the object being tested has operated. The time is then displayed, whereupon Sverker returns automatically to the OFF mode.
OFF	Current source is turned off.
ON	Current source is turned on (activated).
OFF+TIME	Current source is turned off. When the object being tested has operated, the time is displayed, whereupon Sverker returns automatically to the OFF mode.

Button	Function
▲	Lights the next higher indicator lamp (one step up).
▲ in setting mode (MODE activated)	Moves up in the menu or increases the value.
▼	Lights the next lower indicator lamp (one step down).
▼ in setting mode (MODE activated)	Moves down in the menu or decreases the value.

## 4.3 Timer



12. START input. This is used to start the timer. Max 250 V (AC or DC). The time is shown in the display

Indication	Condition required for timer start
INT	a) Internal. Used when ON+TIME or OFF+TIME is selected.
	b) When voltage is applied or when a contact is closed.
	c) When applied voltage vanishes or when a contact is opened.
	d) When the state of the input changes.

Select the desired option using the leftmost of the two blank-faced buttons located under START on the control panel.

Indication	Mode
	Voltage mode. Detects if voltage is applied or not.
	Contact mode. Detects if circuit is closed or not.

Select either the voltage mode or the contact mode using the rightmost of the two blank-faced buttons located under START on the control panel.

13. Indicator lamp. This lamp indicates the state of the timer input. When this indicator lamp is lighted voltage is present at the input (voltage mode) or the circuit is closed (contact mode).

14. STOP input. This is used to stop the timer. Max 250 V (AC or DC). The time is shown in the display.

Indication	Condition required for timer stop
INT	a) Internal. Used when ON+TIME or OFF+TIME is selected.
	b) When voltage is applied or when a contact is closed.
	c) When applied voltage vanishes or when a contact is opened.
	d) When the state of the input changes.

Select the desired option using the ← button (blue). It is the leftmost of the two buttons located under STOP on the control panel.

In the setting mode (MODE activated): The ← button provides a move to the left on the display.

Indication	Mode
	Voltage mode. Detects if voltage is applied or not.
	Contact mode. Detects if circuit is closed or not.

Select either the voltage mode or the contact mode using the → button (blue). It is the rightmost of the two buttons beneath STOP on the control panel.

In the setting mode (MODE activated): The → button provides a move to the right on the display.

## 4.4 Trip indicator

15. TRIP indicator. This indicates that the object being tested has tripped. The fact that tripping occurred indicates that the conditions imposed at the timer's stop input (item 14) are met. This indication does not occur unless the object being tested is connected to the stop input.

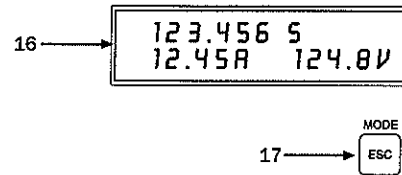


Steadily glowing indicator lamp: Indicates tripping when the test is being conducted without timing (start switch at the ON position).

Flashing indicator lamp: Indicates tripping when the test is being conducted with timing (start switch at the ON+TIME or OFF+TIME position). It also indicates that timing is completed. Sverker then returns automatically to the OFF state. You can reset the flashing indicator lamp by pressing the button marked HOLD (item 21) twice.

## 4.5 Display

16. Display.



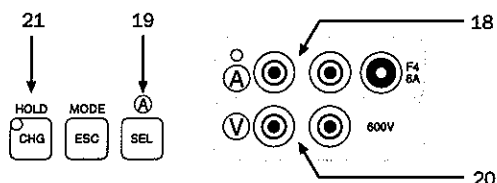
17. Button marked MODE. This button changes the display from the measurement mode (normal mode) to the setting mode and vice versa.

---

**Note!** *In the setting mode (MODE activated):  
The ESC (blue text) button leaves the present menu option unchanged and proceeds to the next higher menu option.*

---

## 4.6 Ammeter & voltmeter



18. Input marked A. This is the external panel input to the Sverker ammeter. It is activated by pressing the button marked A (item 19) which is located at right beneath the display window. The indicator lamp adjacent to this input is lighted to indicate that the input is activated. F4 6A: Miniature circuit breaker for the ammeter.
19. Button marked A at right beneath the display window. This button is used to transfer the ammeter test point to current outputs 1, 2, 3 or to select the external panel input to the Sverker ammeter (item 18). The current value is shown on the display.

---

**Note!** In the setting mode (MODE activated):  
The SEL (blue text) button selects the menu option that is displayed.

---

20. Input marked V. This is the input to the Sverker voltmeter, and it is always activated. The voltage value is shown on the display.
21. Button marked HOLD. This button freezes the prevailing current and voltage values when the object being tested is tripped or when generation stops. If tripping does not occur, the prevailing value is frozen when Sverker changes to the OFF state. The hold (freeze) function is toggled on and off by pressing this button.

When you turn the hold function off, the flashing trip indicator 15 is reset. Moreover, Sverker senses the state of timer stop input 14 (STOP), thus making it possible to respond if a change occurs at this input. This is valid only while the input is in change sensing state (b + c, see item 14).

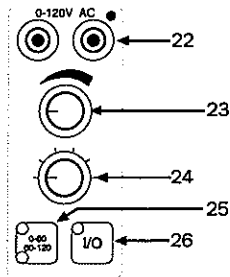
---

**Note!** In the setting mode (MODE activated):  
The CHG (blue text) button opens the displayed menu option so that it can be changed.

---

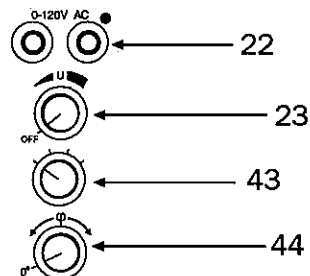
## 4.7 AC Voltage source

### Sverker 750



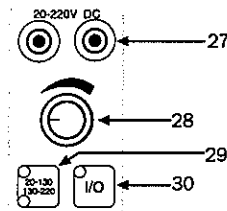
22. 0-120 V AC. Separate, independent output for AC voltage. Can be varied from 0 to 120 V using knobs (23) and (24).
23. Knob used for fine adjustment of AC voltage (22).
24. Knob used for rough adjustment of AC voltage (22).
25. 0-60, 60-120 switch. This is used to toggle between the 0-60 V and 60-120 V AC voltage ranges.
26. I/O. ON/OFF switch used for the AC voltage source.

### Sverker 760



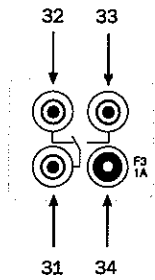
22. 0-130 V AC. Separate, independent output for AC voltage.
23. Knob used for setting the AC amplitude. When not in use set to OFF position.
43. Knob used for rough adjustment (about 90° steps) of the phase-angle.
44. Knob used for fine adjustment of the phase-angle. Turn this to 0° position (most left) to get 0° phase shift.

## 4.8 Auxiliary voltage source



27. 20-220 V DC. Separate, independent output for auxiliary voltage (DC) to the object being tested. Can be varied from 20 to 220 V DC using knob (28).
28. Knob used for auxiliary voltage (27).
29. 20-130 / 130-220 switch. This is used to toggle between the 20-130 V and 130-220 V DC auxiliary voltage ranges.
30. I/O. ON/OFF switch used for the auxiliary voltage source (27).

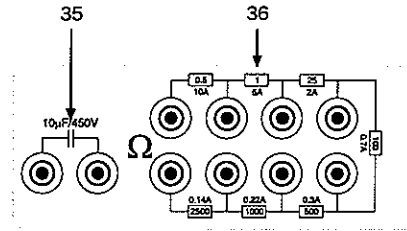
## 4.9 Make/Break contact



- 31. Relay contact. Changes state in response to ON+TIME and OFF+TIME.
- 32. Break (normally-closed) function.
- 33. Make (normally-open) function.
- 34. F3 1A: Miniature circuit breaker for relay contact (31).

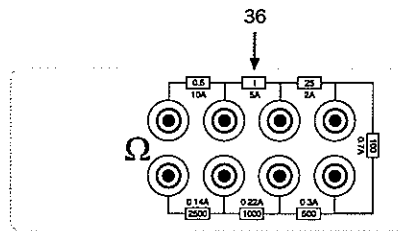
## 4.10 Resistor set and capacitor

### Sverker 750



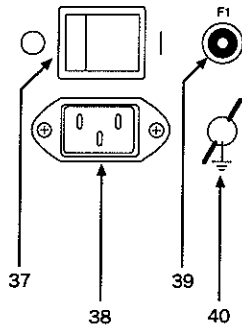
- 35. Capacitor, 10 mF, 450 V.
- 36. Resistor set.

### Sverker 760



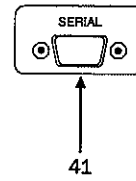
- 36. Resistor set.

## 4.11 Power supply



- 37. Mains voltage ON/OFF.
- 38. Connector for mains voltage.
- 39. F1: Miniature circuit breaker for the power supply. 4 A (230 V), 8 A (115 V).
- 40. Ground (earth) terminal.

## 4.12 Other



- 41. SERIAL. Serial port for communication with computers and the Sverker Win software.



- 42. Terminals marked with black dots all have the same polarity (used for AC voltage sources).

---

**Note!** *CHG, ESC and SEL are imprinted on the faces of the buttons marked HOLD, MODE and A respectively. These imprints (CHG, ESC and SEL) apply only when Sverker is in the setting mode. The panel markings (HOLD, MODE and A) apply when Sverker is in its normal mode, i.e. the measurement mode.*

---

# 5 Making settings on the display

## 5.1 Introduction

There are a number of ways to make Sverker settings. In addition to using the buttons and other controls on the control panel, you can make settings via a menu shown on the display. To proceed via this menu, however, you must first put Sverker in the setting mode.

### How to enter the setting mode

Before you can change from the measurement mode (normal mode) to the setting mode, Sverker must be in the OFF state. To enter the setting mode, you press the button marked MODE.

### Display shown in the setting mode

When Sverker is in the setting mode, two lines appear in the window. The menu heading appears on the first line, and the selected menu option appears on the second line between < and > characters.

```
Menu heading
<Menu option>
```

### Memories – Your default settings and the original Sverker settings

You can save settings that have been made via a menu. This can be useful when, for example, you want to prepare settings in advance to make it easier to test different types of protective relay equipment. Saved settings remain in the memory even after the Sverker has been turned off. Since ten memories are available for this purpose, you can save settings for up to ten different types of protective relay equipment.

Each time Sverker is turned on, the settings in memory No. 0 are recalled as defaults. Your default settings, i.e. the settings you want to recall automatically at turn-on time should thus be saved in memory No. 0.

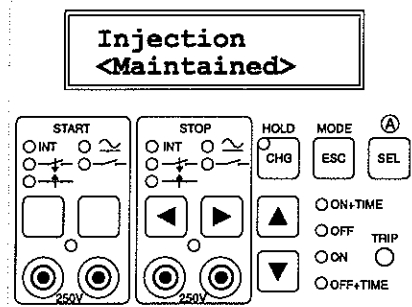
To save something in or recall something from a memory you proceed via the Save/Recall menu option. See section 5.13.

In addition, there is a special memory that contains Programma's original Sverker settings. These can be recalled whenever you want to use them. The original settings are kept in the special memory. They are determined by Programma, and you cannot change them.

### How to return to the measurement (normal) mode

You can return from the setting mode to the measurement mode at any time by pressing the ESC button. Note, however, that you may sometimes have to press this button twice, depending on where you are in the menu.

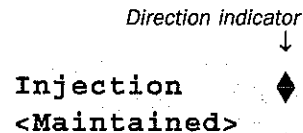
## 5.2 Button functions



Button	Function in setting mode (MODE activated)
CHG	Opens a menu option so that it can be changed. If a <i>numeric value</i> is to be changed, a cursor appears which can be moved by pressing the ↑ button or Å button.
ESC	Leaves the menu option unchanged and moves to menu level 1. If you are already on menu level 1, pressing ESC causes Sverker to leave the setting mode.
SEL	Invokes the menu option that has been selected.
▲	Moves up in menu or increases a numerical value.
▼	Moves down in menu or decreases a numerical value.
▶	Moves right in display window.
◀	Moves left in display window.

## 5.3 Direction indicator

In addition to the menu heading and menu option, a direction indicator appears on the display. It indicates the direction(s) in which you can move in the menu or change a numerical value. The direction indicator can have one of three shapes: diamond (double up/down arrow), up arrow or down arrow.



### Direction indicator shapes and their meanings

Indicator shape	Meaning
◆ Up and down arrow	You can move either up or down (or increase/decrease a value).
▲ Up arrow	You can only move up (or increase a value).
▼ Down arrow	You can only move down (or decrease a value).

### How to change a numerical value

Some menu options include numerical values (settings) that can be changed. To open a numerical value for change, you press the CHG button, whereupon a cursor appears beneath the rightmost digit. Change numerical value Numerical value change

You can now move the cursor with the ← or → button until it is beneath the desired digit. Then increase or decrease the value using the ↑ or ↓ button.

Injection ◆  
Max time:99.9 s

a) If you want to change 99.9 to 95.0 you press the CHG button to open the numerical value for change.

Injection ▼  
Max time:99.9 s

b) A cursor that indicates which digit can be changed appears beneath the rightmost digit.

Injection ▲  
Max time:99.0 s

c) You press the ▼ button nine times to step from 99.9 down to 99.0, and then move it one step to the left by pressing the ← button.

Injection ◆  
Max time:95.0 s

d) Press the ▼ button four times to step from 99.0 down to 95.0. The numerical value is now set as desired, but to invoke it you must press the SEL button.



## 5.4 The menu system

Menu level 1	Menu level 2 options	Explanation
Test mode	Normal	Measures time from START to STOP.
	Trip + pulse time	Measures time from START to STOP and also the duration of the trip pulse.
	Reclose: #01 999 s	Sets time for reclosing. Max 49 reclosings. The total time for the specified number of reclosings can range from 001 to 999 s.
Injection	Maintained	Generation continues without time limit.
	Momentary	Generation continues while button is kept pressed.
	Max time 99.9 s	Generation continues throughout a preset interval that can range from 00.1 s to 99.9 s.
	External start	See section 5.6
Ammeter	AC	Measures AC, true RMS.
	DC	Measures DC, mean value.
	Unit: Ampere	Expressed in amperes.
	Unit: % of nom I	Expressed as % of nominal current.
	Nom I: 001 A	Used to set nominal current.
	Range: Auto	Range selected automatically.
	Range: Low Range: High	Fixed low range. Fixed high range.
Voltmeter	AC	Measures AC, true RMS
	DC	Measures DC, mean value
	Shunt (1 - 999 mΩ)	Default shunt value is 100 mΩ. Displayed value is shown in A or kA.
	Unit: Volt	Expressed in volts.
	Unit: % of nom U	Expressed as % of nominal voltage.
	Nom U: 063 v	Used to set nominal voltage.
	Range: Auto	Range selected automatically.
	Range: Low Range: Mid Range: High	Fixed low range. Fixed mid range. Fixed high range.
	Q , φ , W ,VA	None
Z (Ω. φ)		Impedance (magnitude + phase angle)
Z (Ω)		Impedance (magnitude)
R. X (Ω. Ω)		Resistance and reactance (magn and magn)
P (W)		Active power
S (VA)		Apparent power.
Q (VAr)		Reactive power.
cos φ		Power factor.
φ (°, Iref)		Phase difference, current as reference.
φ (°, Uref)		Phase difference, voltage as reference.
Timer	Unit: Seconds	Time expressed in seconds.
	Unit: Cycles	Time expressed in mains-frequency cycles.
Display	Slow	Average-value filter enabled, thereby stabilizing the display. 10 values are used to create the average. Phase difference is not filtered.
	Fast	Average-value filter disabled.
	Hold Trip	Shows the max value in RMS for 1 period immediately before tripping.
	Hold Max	Shows the max value in RMS for 1 period within the last 0.5 s held in memory.
	Hold Min	Shows the min value in RMS for 1 period within the last 0.5 s held in memory.
Off delay	Cycles 004	Mains-frequency cycles throughout which generation is to continue after tripping occurs.
0-Level filter	1-9	To avoid measuring noise that can be encountered during testing. A 0-level of 1 (min.) allows low-level signals to pass. A 0-level of 9 (max.) filters out most noise.
Save/Recall	Recall mem #: 0	Recalls all settings that were stored in the specified memory. Range is 0-3.
	Recall default	Recalls all of the original settings made by Programma prior to delivery (they are stored in a special memory).
	Save mem #: 0	Saves the settings in the specified memory. The range is 0-3.

Remote control	ON	Settings are controlled from Sverker Win. This will be set automatically when Starting Sverker Win.
	OFF	Sverker is controlled from the panel.
Language	English	English language menus, prompts etc.
	Deutsch	German language menus, prompts etc.
	Francais	French language menus, prompts etc.
	Espanol	Spanish language menus, prompts etc.
	Svenska	Swedish language menus, prompts etc.
SW: R04E "PC-750" or "Sverker Win"		Software version. The Sverker is "unlocked" and ready to be used with Sverker Win (or ProView PC750

## 5.5 Test mode

**Test mode**  
**<Normal>**

This menu option is used to specify the desired type of time measurement. You have three choices: Normal, Trip + pulse time and Reclose.

You press the CHG button to access the different memory options, and then scroll up or down using the▲ or ▼ button.

### Menu option Explanation

*Normal* Measures time from START to STOP.

#### *Trip + pulse time*

Measures time from START to STOP and also the duration of the trip pulse.

#### *Reclose: #01 999 s*

Sets time for reclosings. Max 49 reclosings. The total time for the specified number of reclosings can range from 1 to 999 s.

1. Press the SEL button to invoke the selected option.

## 5.6 Injection

**Injection**  
**<Maintained>**

Here, you select the type of generation. You have four choices: Maintained, Momentary, Max time and External Start.

### Menu option Explanation

*Maintained* Generation continues without any time limit.

*Momentary* Generation continues while start switch is kept activated.

#### *Max time: 99.9 s*

Generation continues throughout a preset interval that can be set from 00.1 to 99.9 s. **IMPORTANT:** To change a numerical value, press the CHG button one additional time and then use the arrow buttons.

#### *External Start*

Select dry or wet contact and closing or opening contact for the external signal. This feature enables you to start two or more Sverkers simultaneously. The Sverkers "slaves" can be connected to the make/break contact on the Sverker "master" and then be set for external start. The slaves will start at the same time as the master ( $\pm 1$  ms).

1. Press the SEL button to invoke the selected option.

## 5.7 Ammeter

### Ammeter

<AC Amp Auto>

This option is used to make settings for the Sverker ammeter.

The ammeter can be set to measure AC or DC. AC readings are expressed as true RMS values while DC readings are mean values.

Readings can be expressed in amperes or percentages of the nominal current (which can be set from 1 to 999 A). These choices are called units on the menu. **IMPORTANT:** To change a numerical value, you press the CHG button one additional time and then use the arrow buttons.

The range can be set to Auto or to Fixed low or Fixed high. The fixed ranges are useful for short measurement cycles during which the ammeter doesn't have time to change range automatically. If this occurs, O.F. (range overflow) is displayed constantly.

For more information about the different ranges see chapter 9, headed Specifications.

Menu option	Alternative	Explanation
AC	Alt. 1	Ammeter measures AC as true RMS.
DC	Alt. 2	Ammeter measures DC as mean value.
Unit: Ampere	Alt. 1.	Current is shown in amperes.
Unit: % of nom I	Alt. 2.	Current is shown as % of the nominal current which can range from 1 to 999 A.
Nom I: 001 A	—	Nominal current setting
Range: Auto	Alt. 1.	Range selected automatically
Range: Low	Alt. 2.	Fixed low range
Range: High	Alt. 3.	Fixed high range

1. Press the SEL button to invoke the selected option.

## 5.8 Voltmeter

### Voltmeter

<AC Volt Auto>

This option is used to make settings for the Sverker voltmeter.

The voltmeter can be set to measure AC or DC. AC readings are expressed as true RMS values while DC readings are mean values.

Readings can be expressed in volts or percentages of nominal voltage (which can be set from 1 to 999 V). These choices are called units on the menu. **IMPORTANT:** To change a numerical value, you press the CHG button one additional time and then use the arrow buttons.

The range can be set to Auto or to Fixed low, Fixed mid or Fixed high. The fixed ranges are useful for short measurement cycles during which the voltmeter doesn't have time to change range automatically. If this occurs, O.F. (range overflow) is displayed constantly.

For more information about the different ranges see Chapter 9, Specifications.

Menu option	Alternative	Explanation
AC	Alt. 1.	Voltmeter measures AC as true RMS
DC	Alt. 2.	Voltmeter measures DC as mean value
Shunt	1 - 999 mΩ	Value is shown as A or kA
Unit: Volt	Alt. 1.	Voltage is shown in volts
Unit: % of nom U	Alt. 2.	Voltage is shown as a % of the nominal voltage which can range from 1 to 999 V.
Nom U: 063 V	—	Used to set the nominal voltage.
Range: Auto	Alt. 1.	Range selected automatically
Range: Low	Alt. 2.	Fixed low range
Range: Mid	Alt. 3.	Fixed mid range
Range: High	Alt. 4	Fixed high range

1. Press the SEL button to invoke the selected option.

## 5.9 $\Omega$ , $\varphi$ , W , VA... (Extra measurement)

$\Omega$  ,  $\varphi$  , W , VA. . .  
<None>

Here, you can select extra measurement functions (in addition to the voltage and current functions)

For all extra measurement functions, Sverker must be set for AC measurement, i.e. for **AC Amp** and **AC Volt**. However, this does not apply to the measurement of resistance or active power. For these, DC measurement can also be used.

Either voltage or current can be used as a reference for calculating the phase difference (phase angle) between current and voltage.

Then, when Sverker is used in the generation mode (normal mode), the selected extra measurement function is displayed at the top of the window, beside the time.

Only one option can be selected at a time.

Menu option for Aac Vac (AC measurement)	Explanation
None	No extra measurement function displayed
Z ( $\Omega$ , °)	Impedance and phase angle displayed
Z ( $\Omega$ )	Impedance displayed without phase angle
R, X ( $\Omega$ , $\Omega$ )	Resistance and reactance displayed
P (W)	Active power displayed
S (VA)	Apparent power displayed
Q (VAr)	Reactive power displayed
cos $\varphi$	Power factor displayed
$\varphi$ (°, Iref)	Phase difference displayed with current as reference
$\varphi$ (°, Uref)	Phase difference displayed with voltage as reference

Menu options for Adc Vdc (DC measurement)	Explanation
None	No extra measurement function displayed
R ( $\Omega$ )	Resistance displayed
P (W)	Power displayed

Menu options for Adc Vac or Aac Vdc (mixed measurement)	Explanation
No choice	No extra measurement function displayed

1. Press the SEL button to invoke the selected option.

## 5.10 Timer

Timer  
<Unit: Seconds >

Here you select the unit in which the time displayed in the window by the timer is expressed. Time measurements can be expressed in seconds (s) or in mains-frequency cycles.

Menu option	Alternative	Explanation
Unit: Seconds	Alt 1.	Time expressed in seconds
Unit: Cycles	Alt 2.	Time expressed in mains-frequency cycles

1. Press the SEL button to invoke the selected option.

## 5.11 Display

Display  
<Slow>

If the values shown on the display become unstable as measurement proceeds, you can filter them. Filtering is accomplished by averaging, and it affects all displayed values except time values.

You can measure using very short time settings, down to a minimum of 1/2 period (10 ms at 50 Hz).

Extra measurement functions such as R and X can now be calculated after finishing a test (after a HOLD trip).

Menu option	Explanation
Slow	Average-value filter enabled, thereby stabilizing the display. 10 values are used to create the average. Phase difference is not filtered.
Fast	Average-value filter disabled.
Hold Trip	Shows the max value in RMS for 1 period immediately before tripping.
Hold Max	Shows the max value in RMS for 1 period within the last 0.5 s held in memory.
Hold Min	Shows the min value in RMS for 1 period within the last 0.5 s held in memory.

1. Press the SEL button to invoke the selected option.

## 5.12 Off delay

Off delay  
<004 Cycles>

This is used to set the time, expressed in mains-frequency cycles throughout which generation is to continue after tripping occurs. The range is 0-999 cycles. The original Programma setting is 4 cycles. If no delay is desired, set the number of cycles to 0. **IMPORTANT:** To change a numerical value, press the CHG button one additional time, and then use the arrow buttons.

**Range:** 000-999.

1. Press the SEL button to invoke the selected option.

## 5.13 0-Level filter

0-Level filter  
<1=Min, 9=Max>

To avoid measuring noise that can be encountered during testing, Sverker features a well-defined lower limit called the 0-level.

When testing ground fault protection (for example) using low currents, this difficulty could arise in cases where test values were below the 0-level.

The 0-level can be set between 1 and 9. A 0-level of 1 (min.) allows low-level signals to pass. A 0-level of 9 (max.) filters out most noise. A 0-level of 5 is the same as the level provided in the previous version.

## 5.14 Save/Recall

Save/Recall  
<Settings>

The settings made under the headings/options discussed above can be saved in a memory where they will remain even after Sverker has been turned off. Then when you want to conduct a similar test again, they can be recalled from the memory in question. There are four such memories.

Each time Sverker is turned on, the contents of memory No. 0 are recalled as defaults. You can, however, recall and use the contents of any other memory by specifying its number in this menu.

In addition, there is a special memory that contains Programma's original Sverker settings, and they can be recalled whenever you want to use them.

Menu option	Explanation
Recall mem #:	Recall settings from the specified Sverker memory (range is 0-3)
Recall default:	Recall the original Programma settings from the special memory
Save mem #:	Save the settings in the specified Sverker memory (range is 0-3)

1. Press the SEL button to invoke the selected option.

## 5.15 Remote control

Remote control  
<OFF>

Together with the PC software SVERKER Win you can control the settings (except the dials) from the computer.

When Sverker Win is started, the text "Remote Control" will appear on the display.

## 5.16 Language

```
Language
<English>
```

Here, you select one of five languages in which the menus, prompts etc. will appear.

### Menu option Explanation

English	English-language menus, prompts etc.
Deutsch	German-language menus, prompts etc.
Français	French-language menus, prompts etc.
Español	Spanish-language menus, prompts etc.
Svenska	Swedish-language menus, prompts etc.

1. Press the SEL button to invoke the selected option.

## 5.17 SW

```
SW: R04D
```

This enables you to display the software version and hardware version. The user cannot change this information.

<u>Menu heading</u>	<u>Explanation</u>
SW	Software version you are using.

---

**Note!** If you have "unlocked" the SVERKER using the "software key" for Sverker Win, this is shown with the text "PC-750" or "Sverker Win" in the "Software version" window in the menu tree.

---

# 6 How to operate Sverker

## 6.1 General

This chapter presents the steps you should take to perform typical Sverker testing operations efficiently. Sometimes several alternative ways of carrying out a step are presented. This chapter will help you formulate testing procedures for different types of protective relay equipment.

## 6.2 Injecting current – General rules

When you inject current through protective relay equipment for testing purposes, you must observe several rules of thumb:

- Provide as much impedance as possible in series with the load.  
This will counteract changes in current and minimize waveform distortion for relays whose impedances change when they have operated, and also for relays that become saturated.  
Moreover, the current become more easy to adjust, since this will increase the turn of the knob.
- When you are measuring operating times, the value of the applied current or voltage used for testing must exceed the tripping limit by an ample margin (rule of thumb: 1.2-1.5 times the pick-up limit).
- High current should be injected through the protective relay equipment for as short a time as possible to prevent overheating. It may be advisable to use manually-controlled (momentary) generation or time-limited generation when injecting high current.

### Output alarm

If more than 1 V/ 0.5 A flows (in the 10 A range) when Sverker is in the OFF state there will be a message on the display "CAUTION OUTPUT".

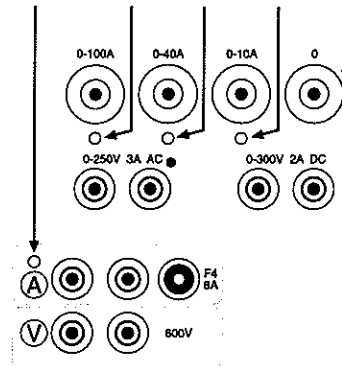
**CAUTION OUTPUT**

## 6.3 Selecting the correct current output

Select the output at which the setting knob must be turned the furthest to obtain the desired current. This will improve setting accuracy and enable Sverker to deliver maximum power.

When the object being tested has high impedance or may reach saturation, it is especially important to use the output having the highest possible voltage. This will drive the desired current through the object being tested efficiently and minimize distortion of the current waveform.

## 6.4 Measuring current



The ammeter in Sverker has four inputs. Three of them are internal inputs fixed to the individual current outputs, and one is an external input located on the control panel. Active input (i.e. ammeter test point) is indicated by an indicator lamp.

Use the button marked A to transfer the ammeter test point to the selected input.



The internal inputs are used to measure the current generated by Sverker. The external input is used to measure current in an external circuit. If so desired, however, it can be used for measurement of current from Sverker. This is useful since ammeter accuracy is highest when measurement proceeds via the external input. The external input can be used for currents of up to 6 A.

The HOLD (freeze) function makes it possible to measure currents of very short duration. Activate it by pressing the button marked HOLD. See the section headed "Ammeter and voltmeter" in Chapter 3.



## 6.5 Setting the desired current

1. Connect the object being tested to a suitable output on Sverker.
2. Use the button marked A to transfer the ammeter test point to the selected current output or to the external ammeter panel input.
3. Activate ON using the start switch.



4. Adjust the current using the main knob. The current can be read from the Sverker display.

### High currents

High currents may overheat both the object being tested and Sverker. You can prevent overheating by generating currents of very short duration. Short-duration currents can be read very easily using the ammeter's HOLD (freeze) function.

The best way to generate short-duration currents is to use manually-controlled (momentary) or time-limited generation. See explanation of settings in Chapter 5.

1. Connect the object being tested to a suitable output.
2. Use the button marked A to transfer the ammeter test point to the selected output.
3. Activate the HOLD (freeze) function.
4. Activate ON briefly using the start switch.
5. Read the current.
6. Repeat, starting with step 4, until the correct current is set.

### Low currents and good setting resolution

You can obtain low currents and good setting resolution by connecting one or more of the resistors in the Sverker set of resistors in series in the current circuit. You can also use these resistors to create a voltage divider, thereby reducing the output current.

Limiting resistors can also be connected into the primary side (terminal Rx/Cx) of the output transformer. More-over, if you want to limit the current without generating heat, you can connect the

Sverker capacitor (only Sverker 750), al-though this will change the phase angle of the current.

Sometimes it is advantageous to use the 0-100 A output when you want low currents since it has the lowest output voltage. This low voltage will drive a lower current than any of the other Sverker outputs through a high-ohm load or series resistor.



Always use the ammeter input for external measurement when measuring low currents since it provides the best accuracy.

## 6.6 Finding pick-up and drop-out limits for over (current/voltage/other entity) relays

### Method 1a: Normal injection, gradual increase in current.

Current is generated continuously. This procedure is suitable in situations where there is little risk of overheating the protective relay equipment and you wish to measure the drop-out function without using a second test procedure.

1. Initial settings: OFF. Main knob at 0.
2. Connect the relay's current input and tripping output to Sverker.
3. Use the button marked A to transfer the ammeter test point to the selected output.
4. Set the timer stop condition (to CLOSURE + OPENING, CONTACT for example).
5. Activate ON using the start switch.
6. Turn up the current until the relay operates (pick-up).
7. Read the current.
8. Turn down the current. Read the current that flows when drop-out takes place.
9. Interrupt output by setting the start switch to OFF.

### Method 1b: Normal injection, pick-up and drop-out values obtained using the HOLD (freeze) function

Increase the current gradually until the relay operates, whereupon the current reading is frozen. You can then start reducing the current immediately, and the current reading will be frozen when drop-out occurs.

1. Initial settings: OFF. HOLD. Main knob at 0.
2. Connect the relay's current input and tripping output to Sverker.
3. Use the button marked A to transfer the ammeter test point to the current output that is being used.
4. Set the timer stop condition (to CLOSURE + OPENING, CONTACT for example).

5. Activate ON using the start switch.
6. Turn up the current until pick-up.
7. The tripping limit will be frozen and held on the display.
8. Press the HOLD button twice in order to reset the HOLD function.
9. Turn down the current until the relay drops out. You can now read the frozen drop-out value from the display window.
10. Interrupt output by setting the start switch to OFF.

### Method 2: Manually-controlled (momentary) injection

Here, the current is interrupted when you release the start switch (from the ON or ON+TIME position). This procedure enables you to prevent overheating of the protective relay equipment when, for example, you are trying to find the pick-up value for an instantaneous unit.

1. Initial settings: OFF. MOMENTARY (see explanation of settings in Chapter 5). HOLD. Main knob at 0.
2. Connect the relay current input and tripping output to Sverker.
3. Use the button marked A to transfer the ammeter test point to the current output that is being used.
4. Set the timer start condition to INT.
5. Set the timer stop condition (to CLOSURE + OPENING, CONTACT for example).
6. Change the main knob setting.
7. Activate ON briefly. The duration of the output must be longer than the operating time of the instantaneous unit. If you want to check the time, you can activate ON+TIME instead of ON.
8. Check to see that the instantaneous unit has tripped. This can be done by a) checking the indicator lamp on the relay or b) checking to see that the TRIP indicator lamp in Sverker is on and that the measured operating time matches the operating time of the protective relay equipment. Repeat, starting with step 6, until you find the lowest current that provides operation.
9. Read the current.
10. To measure the drop-out value, activate ON again using the start switch until tripping occurs. Then, while keeping ON active,

reduce the current by turning the main knob until resetting takes place. Release the start switch and make a note of the current.

### Method 3: Time-limited injection

Time-limited injection Time-limited generation, as its name implies, interrupts output after a preset time. This is useful when you want to prevent overheating in the protective relay equipment.

1. Initial settings: OFF. MAX TIME (see explanation of settings in Chapter 5.) HOLD. Main knob at 0. The maximum time must be set longer than the operating time of the instantaneous unit.
2. Connect the relay current input and tripping output to Sverker. 3. Set the ammeter to measure current at the current output that is being used.
4. Set the timer start condition to INT.
5. Set the timer stop condition (to CLOSURE + OPENING, CONTACT for example).
6. Change the main knob setting.
7. Activate ON using the start switch. If you want to check the time, you can activate ON+TIME instead of ON.
8. Check to see that the instantaneous unit has operated. This can be done by a) checking the indicator lamp on the relay or b) checking to see that the TRIP indicator lamp on Sverker is on.
9. Read the current.
10. Search for the lowest current where the relay operates, by repeating from point 6 above and onwards.

## 6.7 Finding pick-up and drop-out limits for under (current/voltage/other entity) relays

1. Initial settings: OFF, HOLD, Main knob at 0.
2. Connect the relay input and tripping output to Sverker.
3. Use the button marked A to transfer the ammeter test point to the current output that is being used.
4. Set the timer stop condition (to CLOSURE + OPENING, CONTACT for example).
5. Activate ON using the start switch.
6. Increase the entity (current or voltage) being tested until it exceeds by an ample margin the value of the relay setting.
7. Turn the main knob anti-clockwise until the relay trips. Read the pick-up value.
8. Turn the main knob clockwise until the relay drops out. Read the drop-out value.
9. Interrupt output by setting the start switch to OFF.

## 6.8 Measuring operating times for over (current/voltage/other entity) relays

### Method 1: Normal injection

Generation continues until the protective relay equipment operates.

1. Initial setting: OFF, HOLD, Main knob at 0.
2. Connect the relay current input and tripping output to Sverker.
3. Use the button marked A to transfer the ammeter test point to the selected output.
4. Set the timer start condition to INT.
5. Set the timer stop condition (to CLOSURE + OPENING, CONTACT for example).
6. Activate ON using the start switch. Set the desired current for measuring the operating time. This current must be set well above the operating limit.
7. Interrupt output by setting the start switch to OFF.
8. Activate ON+TIME using the start switch.
9. Read and note the time and current.

### Method 2: Manually-controlled (momentary) injection

This is useful when you want to eliminate overheating in the relay. Generation continues only as long as the start switch is kept at the ON position.

1. Initial settings: OFF. MOMENTARY (see explanation of settings in Chapter 5). HOLD. Main knob at 0.
2. Connect the relay's current input and tripping output to Sverker.
3. Use the button marked A to transfer the ammeter test point to the output that is being used.
4. Set the timer start condition to INT.
5. Set the timer stop condition (to CLOSURE + OPENING, CONTACT for example).
6. Set the desired current (it must exceed the pick-up value by an ample margin) by changing the setting of the main knob.

Activate ON briefly using the start switch and read the current from the ammeter. Repeat until the desired current has been set.

7. Activate ON+TIME using the start switch and keep it activated until tripping occurs.
8. Read and note the time and current.

### Method 3: Time-limited injection

Time-limited generation, as its name implies, interrupts output after a preset time. This is useful when you want to prevent overheating in the protective relay equipment.

1. Initial settings: OFF. MAX TIME (see explanation of settings in Chapter 5.) HOLD. Main knob at 0. The maximum time must be set longer than the operating time of the instantaneous unit.
2. Connect the relay current input and tripping output to Sverker.
3. Set the ammeter to measure current at the current output that is being used.
4. Set the timer start condition to INT.
5. Set the timer stop condition (to CLOSURE + OPENING, CONTACT for example).
6. Change the main knob setting.
7. Activate ON+TIME using the start switch.
8. Check to see that the instantaneous unit has operated. This can be done by a) checking the indicator lamp on the relay or b) checking to see that the TRIP indicator lamp on Sverker is on.
9. Read and note the time and current.
10. Search for the lowest current where the relay operates, by repeating from point 6 above and onwards.

## 6.9 Measuring operating times for under (current/voltage/other entity) relays

1. Initial setting: OFF.
2. Connect the relay current input and tripping output to Sverker.
3. Set the timer start condition to INT.
4. Set the timer stop condition (to CLOSURE + OPENING, CONTACT for example).
5. Activate ON using the start switch. Set the entity (current or voltage) being tested so that it exceeds by an ample margin the value that has been preset for the relay.
6. Activate OFF+TIME using the start switch.
7. Read and note the time and current.

## 6.10 Measuring voltage



1. Set the voltmeter to measure AC or DC (see Chapter 6).
2. Connect the voltmeter input to the voltage that is to be measured. Do not exceed the voltmeter specifications.

---

**Note!** To measure a voltage in the HOLD state, you must simultaneously measure a current (by short-circuiting the current output with a wire for example).

---

## 6.11 Obtaining the correct phase angle when two or more AC outputs are being used

Three separate AC voltages can be obtained from Sverker:

- 0-250 V AC output from the current source.
- 0-120 V AC voltage source.
- 0-100 A, 0-40 A and 0-10 A current outputs (from different taps on the same winding).

If these are connected to a common point, it's important to know the polarity. The right-hand terminal in each of the outputs is thus provided with a black dot, thereby indicating that these output socket terminals have the same polarity.

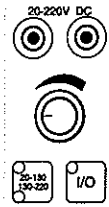


## 6.12 Generating higher voltages

Since the AC voltages sent out from Sverker are separated from each other and from the mains, series connections can be made. In such case, however, it is important to keep the following in mind:

- Make certain that no insulation voltage limits are exceeded.
- Do not exceed the insulation voltage of the connected voltmeter.
- Always comply with the applicable safety regulations.

## 6.13 Setting an auxiliary voltage

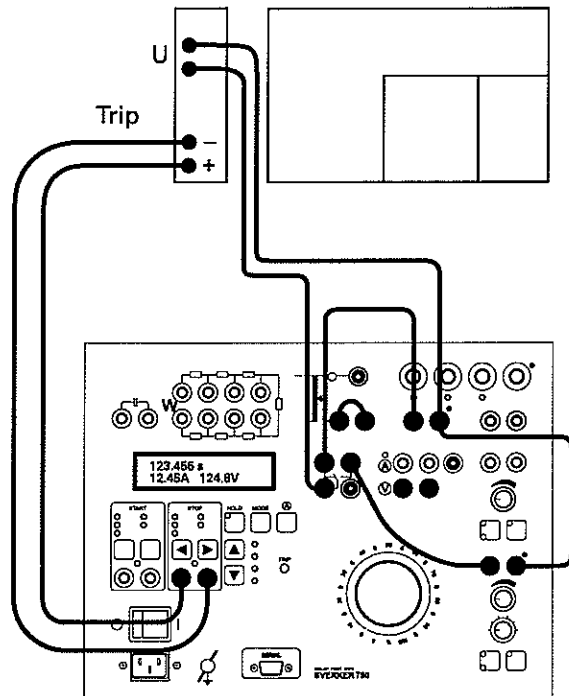


1. Connect the Sverker voltmeter input to the output of the auxiliary voltage source.  
Auxiliary voltage source
2. Set the voltmeter to measure DC (see explanation of settings in Chapter 5).
3. Select the range to be used for the auxiliary voltage (20-130 V or 130-220 V).
4. Turn on the auxiliary voltage source and set the desired value.
5. Turn off the auxiliary voltage source.
6. Connect the auxiliary voltage to the relay.
7. Turn on the auxiliary voltage source. Check the voltage on the Sverker voltmeter.

## 6.14 Testing voltage relays – both pre-fault and fault voltages

### Only for SVERKER 750

**Note!** This connection will damage a SVERKER 760.



Sometimes it is necessary to change between two voltage levels and measure the time that elapses until operation. This can be done using the Sverker make/break contact.

1. Connect the voltmeter input to the 0-250 V output. Activate ON using the start switch. Set the voltage that corresponds to the pre-fault voltage.
2. Set the start switch to OFF.
3. Connect the voltmeter input to the 0-120 V AC voltage source. Turn on the AC voltage source and set the voltage that corresponds to the fault voltage.
4. Turn off the AC voltage source.

5. Connect together the terminals marked with black dots on the 0-250 V output and on the AC voltage source. From this junction, make a connection to one side of the relay's voltage input.
6. Connect the left-hand socket terminal on the 250 V output to the upper left-hand socket terminal on the make/break contact (the one that performs a break function).
7. Connect the left-hand output socket terminal on the AC voltage source to the upper right-hand socket terminal on the make/break contact (the one that performs a make function).
8. Connect the lower left-hand socket terminal on the make/break contact to the other side of the relay voltage input.
9. Make certain that the relay tripping output is properly connected to Sverker.
10. Activate ON using the start switch, whereupon the pre-fault voltage will be applied to the relay.
11. Turn on the AC voltage source.
12. Activate OFF+TIME using the start switch, whereupon fault voltage will be applied to the relay and timing will start.
13. Read the time at which the relay operated.

## 6.15 Changing the current and voltage phase difference

### Sverker 750

Using the built-in capacitor and set of resistors, you can change the phase difference between current and voltage. You can connect the phase-changing components at either the current output or voltage output.



#### TIP!

*It is easiest to change the phase angle of the entity (current or voltage) having the lowest power.*

*The capacitor can be connected in series with the current output if the current is not excessively high. This provides almost a 90° phase displacement of the current.*

*The phase angle is determined by the phase-changing components and the load. Since changing the phase angle also causes the current/voltage to change, you must first adjust the phase angle and then set the current/voltage.*

*If possible, use the ammeter's external panel input to measure the phase angle since this will provide better accuracy and lower currents.*

### Sverker760

1. Connect the AC voltage output (22) to the voltmeter.

---

**Note!** *Connect the output marked with the "black dot" to the black input on the voltmeter.*

2. Select  $\varphi$  ( $^{\circ}$ , Iref) or  $\varphi$  ( $^{\circ}$ , Uref), see section 5.9 Extra measurement.
3. Set the amplitude of the AC voltage with the knob (23).
4. Generate a low current to make it possible to measure the phase angle.
5. Set the phase-angle by using the knobs (43) and (44).

## 6.16 Measuring the phase angle

The phase angle between the current being measured by the Sverker ammeter and the voltage across the Sverker voltmeter input can be displayed (see Explanation of settings in Chapter 5).

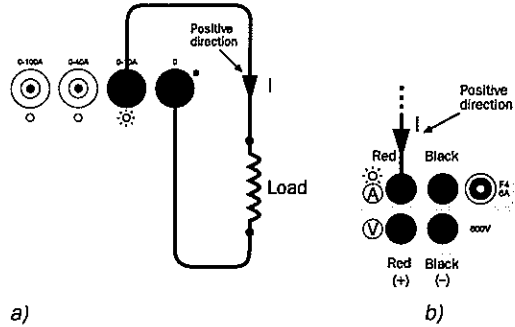
Phase angle Current and voltage can be measured regardless of whether or not they are generated by Sverker. If the current is less than 6 A, it should be measured at the ammeter's external input, since it provides better accuracy.

The phase of the current or the voltage can be selected as reference, see chapter 5 Settings.

*Example: Phase shift at an inductive load (current lags voltage). Current selected as reference.*

*a) Current generated by Sverker (ammeter connected internally).*

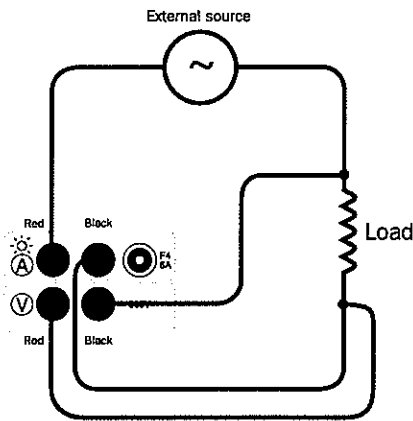
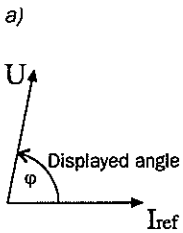
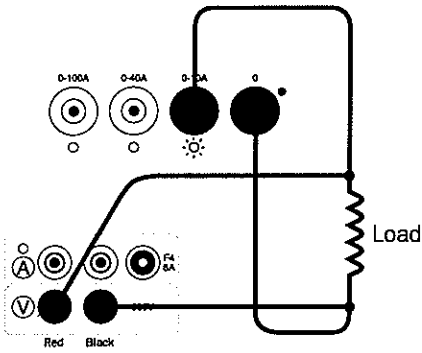
*b) Current generated by external source (ammeter panel input used).*



*Definition of polarities.*

*a) Current generated by Sverker (ammeter connected internally).*

*b) Current generated by external source (ammeter panel input used).*



## 6.17 Measuring external cycle time (measurement not initiated by Sverker)

The timer's start and stop inputs are independent of each other. Activation takes place when the preset condition is met (pulse-edge triggering). These inputs are not polarity-dependent when voltage is being measured.

1. Initial settings: OFF. Main knob at 0.
2. Connect the Sverker start input (START) to the circuit that is to start measurement.
3. Connect the Sverker stop input (STOP) to the circuit that is to stop measurement.
4. Set the start condition (to CLOSURE, VOLTAGE for example).
5. Set the stop condition (to CLOSURE, CONTACT for example).
6. The input state indicator lamp at each input shows whether or not the desired condition is present there before the cycle starts.
7. Activate ON+TIME using the start switch. 8. The timer is now ready to start.

## 6.18 Measuring Z, P, R, X, VA, VAR and COS $\varphi$

Sverker can be used to measure these entities, even in external circuits. Here the currents phase is used as reference. For information about phase definitions, see section 6.15, entitled "Measuring the phase angle".

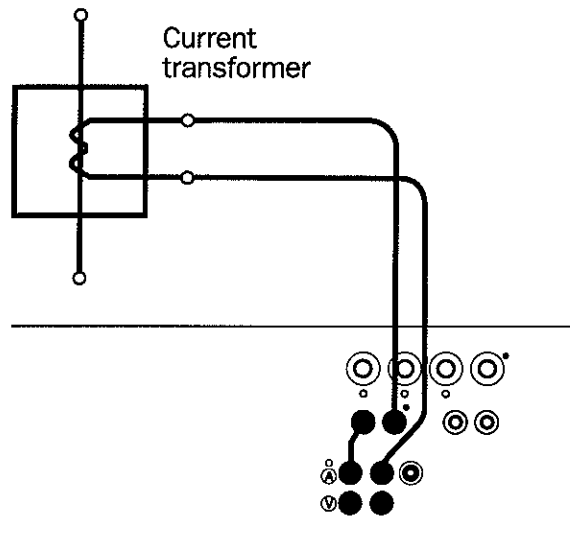
1. Connect the Sverker ammeter and voltmeter to the current and voltage circuit respectively.
2. Check the AC/DC setting. See explanation of settings in Chapter 5.
3. Set the entity that is to be measured (see explanation of settings in Chapter 5).

---

*NOTE!* that the HOLD (freeze) function can also be used for these measurements.

---

## 6.19 Plotting a magnetization curve



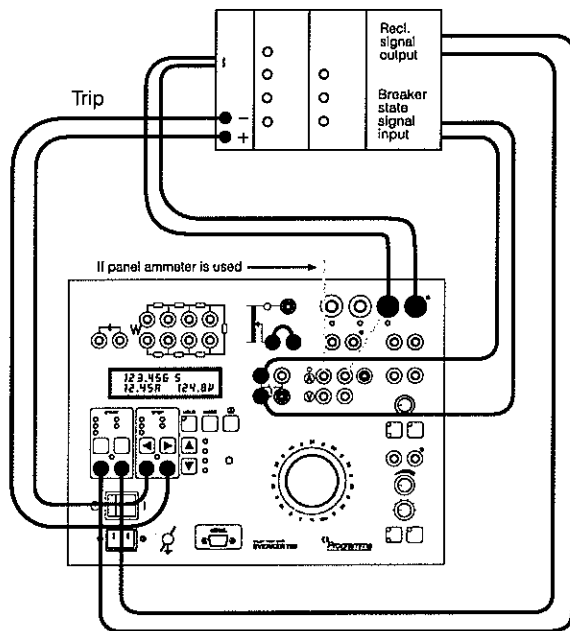
Since Sverker has an ammeter, voltmeter and voltage output, it can be used to plot points on a current transformer magnetization curve.

**IMPORTANT!** *Be sure to comply with the applicable safety regulations, and never exceed any insulation voltage limits.*

1. Initial setting: OFF. Main knob at 0.
2. The primary side of the current transformer must be open, and the secondary side must not be connected to any other circuit.
3. Connect the Sverker voltage output to the secondary side of the current transformer. One side of this voltage output must be connected via the Sverker ammeter input. If a voltage higher than 250 V is needed, proceed as instructed in section 6.11, entitled "Generating higher voltages".
4. Connect the Sverker voltmeter input to the Sverker voltage output.
5. Use the button marked A to transfer the ammeter test point to the panel input used for measurement in external circuits.
6. Activate ON using the start switch.

7. Turn the knob clockwise and read the current and voltage for different points on the curve.
8. When the knee of the curve is reached, slowly lower the voltage and set the start switch to OFF.

## 6.20 Testing an automatic recloser



Sverker can be used to measure partial times in a reclosing cycle. The relay times and the de-energized intervals are stored so that you after the measurement can scroll through them on the display whenever desired. The Sverker make/break contact can be used to stimulate the state of the breaker for the automatic recloser.

1. Initial setting: OFF. Main knob at 0. Set Sverker to measure reclosing (see explanation of settings in Chapter 5). You can also set a time limit so that the test will be interrupted when the time limit expires.
2. Connect the reclosing signal to the Sverker timer start input (START). The relay tripping signal must be connected to the timer stop input (STOP). Connect the relay current input to a suitable current output on Sverker. If the automatic recloser requires a breaker-state indication signal, you can create such a signal by connecting the

Sverker make/break contact (perhaps in series with the voltage source) to the automatic recloser.

3. Use the button marked A to transfer the ammeter test point to the output that is being used.
4. Set start and stop conditions
5. Activate ON using the start switch.
6. Turn up the desired test current.
7. Set the start switch OFF.
8. Start the reclosing cycle by activating ON+TIME using the start switch.
9. Check that the switch is in position OFF after the cycle has been completed.
10. You can now scroll through the relay times and the de-energized intervals on the display using the ▲ and ▼ buttons. Please note: Current value is not shown.

T#02 : 489ms I

T#03 : 75ms 0

11. After you press the button marked MODE, you can start a new test.

## 6.21 Measuring the trip pulse length

1. Initial settings: OFF. TRIP+PULSE TIME, HOLD. Main knob at 0.
2. Connect the relay current input and tripping output to Sverker.
3. Use the button marked A to transfer the ammeter test point to the input used for measurement in external circuits.
4. Set the start condition to INT.
5. Set the stop condition (to CLOSEING + OPENING, CONTACT for example).
6. Activate ON using the start switch. Set the entity (current or voltage) being tested so that it exceeds by an ample margin the value that has been preset for the relay.
7. Set the start switch OFF.
8. Start the test cycle by activating ON+TIME using the start switch.
9. After the test cycle the display window shows the result.

```
T#00: 689ms  I
T#01: 53ms   0
```

T#00 = Time from START to STOP.

T#01 = Time of trip pulse.

Total = The total time, T#00 + T#01. Press the ▼ button once to get here. Read and note the times at which the relay operated. Please note: Current value is not shown.

10. After you press the button marked MODE, you can start a new test.

## 6.22 Injecting current – External start

You can start generation by sending an external signal to Sverker. This feature enables you to start two or more Sverkers simultaneously. The "slave" Sverkers can be connected to the make/break contact on the "master" and then set for external start, whereupon they will start simultaneously with the master ( $\pm 1$  ms).

1. Connect the external signal to the START input (12).
2. Select dry or wet contact and closing or opening contact, for the external signal.



**Tip!**

*If 120° phase shift is desired between the Sverkers, you can connect them to the different phases of a 3-phase outlet.*



6. Read the **U > ON + TIME DELAY** value from the Sverker display window.
7. Repeat the U > ON + TIME DELAY run two or three times to confirm its accuracy through repetition.
8. Decrease the voltage to 0.

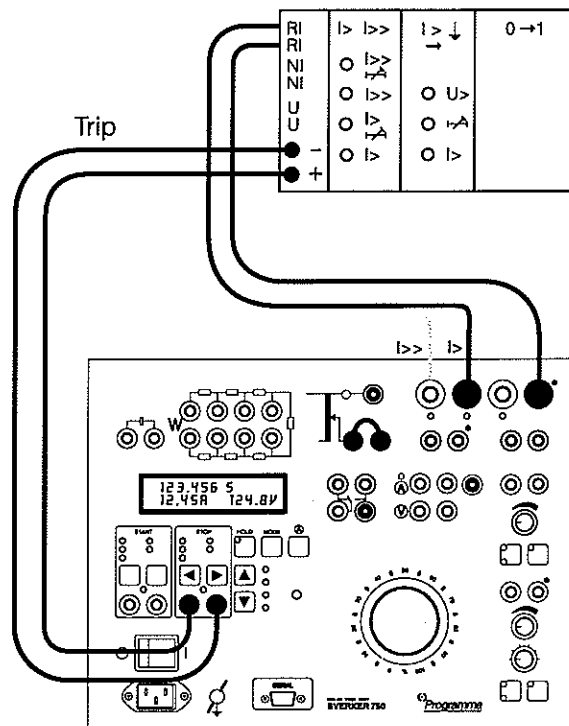
### Finishing the test

- Enter the values read from the display into the test report.
- Turn off power to Sverker using the mains switch.
- Disconnect the equipment.

## 7.2 Testing over-current relays

The following functions are to be tested:

- Pick-up functions: I > ON and I >> ON
- Drop-out functions: I > OFF and I >> OFF
- Operating times: I > ON + TIME DELAY and I >> ON + TIME DELAY



### Test hookup and initial settings

1. Connect for testing as shown in the above diagram.
  - a. Connect the Sverker current output to the protective relay equipment.
  - b. Connect the timer stop input (STOP) to the relay trip output.
  - c. If the test current is not too high, you can connect one or more resistors into the

current circuit in series. Moreover, resistors can be connected into the Sverker Rx/Cx terminal.

2. Turn on power to Sverker using the mains switch.
3. Move the ammeter test point to the desired current output. When measuring low currents, less than 6 A, use the separate ammeter input for better accuracy. This can be done step by step with the A button located to the right of the display window. When a test point is selected, its indicator lamp lights.
4. Activate the desired stop condition for the timer by setting the stop input for a make and/or break function and for a wet or dry contact.
5. If the display window is to freeze the current reading at the instant of operation, check to see that the HOLD function is active (it can be activated by means of the HOLD button).

### Pick-up and drop-out functions: I > ON and I > OFF

1. Turn on the Sverker current source by activating ON with the start switch (press the ▼ key once), whereupon the ON indicator lamp will light.
2. Increase the current carefully by turning the main knob until the protective relay equipment operates (I > ON), whereupon the Sverker TRIP indicator will start to glow steadily.
3. Read the **I > ON** value from the Sverker display window.
4. If the freeze function has been activated, press the HOLD button twice to unfreeze the value shown.
5. Decrease the current until drop-out occurs (I > OFF), whereupon the TRIP indicator will be extinguished.
6. Read the **I > OFF** value from the Sverker display window.
7. Decrease the voltage to 0.
8. Turn off the Sverker current source by setting the start switch to the OFF position.

### Operating function: I > ON + TIME DELAY

1. Turn on the Sverker current source by setting the start switch to the ON position, whereupon the ON indicator lamp will light.
2. Increase the current to  $1.5 \times I > ON$ . (For an inverse time relay, you should conduct three tests at  $1.5$ ,  $2$  and  $3 \times I > ON$ , thus providing additional test points on the inverse time curve.)
3. Turn off the Sverker current source by setting the start switch to the OFF position.
4. Activate ON + TIME by means of the start switch, whereupon the timer will start and the current source will start to generate current.
5. When the protective relay equipment operates, the timer will stop automatically and the current source will be turned off automatically, whereupon the TRIP indicator will start to flash.
6. Read the **I > ON + TIME DELAY** value from the Sverker display window.
7. For the remaining phases, repeat the steps 1-6 as set forth above.

### Pick-up and drop-out functions for the high-current stage: I >> ON and I >> OFF

1. Move the connections to the desired current output.
2. Select the desired test point for the ammeter. This can be done step by step with the A button located to the right of the display window.
3. If the protective relay equipment has a separate trip output for I >>, connect it to the timer stop input (STOP) after having disconnected the trip output of I >.
4. Turn on the Sverker current source using the start switch, whereupon the ON indicator lamp will light.
5. Increase the current rapidly until the equipment operates (I >> ON), whereupon the Sverker TRIP indicator will start to glow steadily.
6. Read the **I >> ON** value from the display window.

7. If the freeze function has been activated, press the HOLD button twice to unfreeze the value shown.
8. Decrease the current until drop-out occurs ( $I >> \text{OFF}$ ), whereupon the TRIP indicator will be extinguished.
9. Read the  $I >> \text{OFF}$  value from the display window.

### Operating time: $I >> \text{ON} + \text{TIME DELAY}$

1. Turn on the Sverker current source by setting the start switch to the ON position, whereupon the ON indicator lamp will light.
2. Increase the current to  $1.1-1.2 \times I >> \text{ON}$ .
3. Turn off the Sverker current source by setting the start switch to the OFF position.
4. Activate  $\text{ON} + \text{TIME}$  using the start switch, where-upon the timer will start and the current source will start to generate current.
5. When the protective relay equipment operates, the timer will stop automatically and the current source will be turned off automatically, whereupon the TRIP indicator will start to flash.
6. Read the  $I >> \text{ON} + \text{TIME DELAY}$  value from the Sverker display window.
7. For the remaining phases, repeat the steps 1-6 as set forth above.

### Finishing the test

- Enter the values read from the display into the test report.
- Turn off power to Sverker using the mains switch.
- Disconnect the equipment.

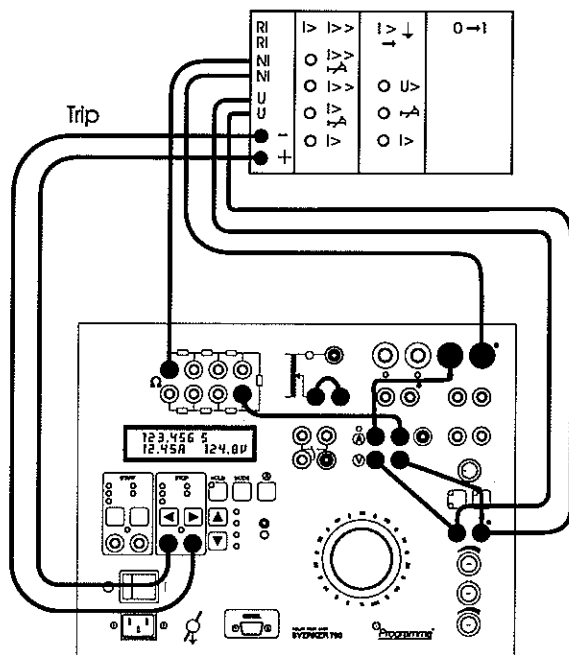
## 7.3 Testing directional over-current relay systems or directional ground-fault (earth-fault) relay systems

### Sverker 760

The following functions are to be tested:

- Pick-up functions:  $I > \text{ON}$  and  $U > \text{ON}$
- Drop-out functions:  $I > \text{OFF}$  and  $U > \text{OFF}$
- Operating time:  $I > \text{ON} + \text{TIME DELAY}$

### Test hookup and initial settings



1. Connect for testing as shown in the above diagram.
  - a. Connect the Sverker separate 0-130 V AC voltage output to the protective relay equipment input (U).
  - b. Also connect the Sverker separate AC voltage output to the voltmeter input.
  - c. Connect the Sverker current source, via the ammeter input and the set of resistors



- (the resistor you select will depend on the testing current) to the current input (NI) to the protective relay equipment.
- d. Connect the timer stop input (STOP) to the relay trip output.
2. Turn on power to Sverker using the mains switch.
  3. Activate the desired stop condition for the timer by setting the stop input for a make and/or break function and for a wet or dry contact.
  4. Transfer the ammeter test point to the panel input, whereupon its indicator lamp will light. This can be done step by step with the A button located to the right of the display window.
  5. Select the desired voltage range (0-60 or 0-120 V) for the separate AC output by pressing the button at left beneath the output.
  6. Activate the separate AC voltage output by pressing the button at right beneath the output

### Pick-up and drop-out functions: I > ON and I > OFF

1. Increase the voltage using the small knob until U > is exceeded. If the protective relay equipment has no adjustable voltage function (U >), set the voltage to the value same as a fault voltage. Keep this voltage constant during the remainder of the test. It is not necessary to test the U-ON and U-OFF voltage limits. It may, however, be desirable to test I > ON and I > OFF at different voltage levels.
2. Turn on the Sverker current source by activating ON with the start switch (press the ? key once), whereupon the ON indicator lamp will light.
3. Increase the current until the protective relay equipment operates (I > ON), whereupon the Sverker TRIP indicator will start to glow steadily.
4. Read the I > ON value from the display window. If the protective relay equipment fails to operate, reverse the polarity of the voltage circuit.
5. If the freeze function has been activated, press the HOLD button twice to unfreeze the value shown.
6. Decrease the current until drop-out occurs (I > OFF), whereupon the TRIP indicator will be extinguished.
7. Read the I > OFF value from the display window.
8. Decrease the current to 0. 9. Turn off the Sverker current source by setting the start switch to the OFF position.

### Operating time: I > ON + TIME DELAY

1. Turn on the Sverker current source by setting the start switch to the ON position, whereupon the ON indicator lamp will light.
2. Increase the current to 1.5 x I > ON. (For an inverse time relay, you should conduct three tests at 1.5, 2 and 3 x I > ON, thus providing additional test points on the inverse time curve.) 3. Turn off the Sverker current source by setting the start switch to the OFF position.
4. Activate ON + TIME by means of the start switch, whereupon the timer will start and the current source will start to generate current.
5. When the protective relay equipment operates, the timer will stop automatically and the current source will be turned off automatically, whereupon the TRIP indicator will start to flash.
6. Read the ON + TIME DELAY value from the Sverker display.

### Pick-up and drop-out functions: U > ON and U > OFF

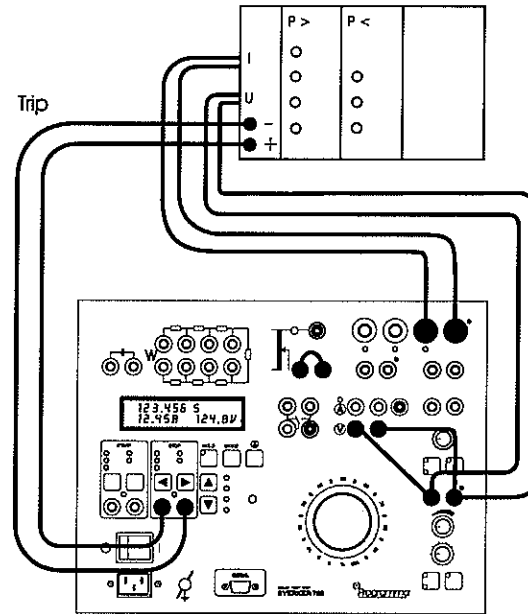
1. Decrease the voltage using the small knob until the voltage drops beneath U.
2. Turn on the Sverker current source using the start switch, whereupon the ON indicator lamp will light.
3. Increase the current with the main knob until I > ON is exceeded (more than 1.1-1.2 x I > ON).
4. Increase the voltage using the small knob until the <-%2>protective relay equipment operates (U > ON), whereupon the Sverker TRIP indicator will start to glow steadily.
5. Read the U > ON value from the display window.

6. If the freeze function has been activated, press the HOLD button twice to unfreeze the value shown.
7. Decrease the voltage until drop-out takes place (U> OFF), whereupon the TRIP indicator will be extinguished.
8. Read the **U > OFF** value from the display window.

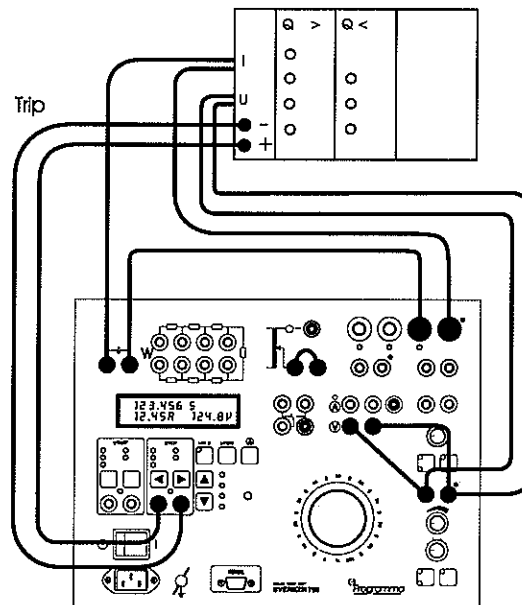
### Finishing the test

1. Enter the values read from the display into the test report.
2. Turn off power to Sverker using the mains switch.
3. Disconnect the equipment.

## 7.4 Testing power relays



P: Active power  $\alpha = 0^\circ$



Q: Reactive power  $\alpha = 90^\circ$  (phase-shifting capacitor in current circuit)

The following functions are to be tested:

- Pick-up function:  $P > ON$  or  $Q > ON$
- Drop-out function :  $P > OFF$  or  $Q > OFF$
- Operating time:  $P > ON + TIME DELAY$  or  $Q > ON + TIME DELAY$
- Sensitivity (depends on phase angle)

Make a note of the relay setting data (U, I and time delay as well as P or Q). If so desired, calculate the operating/drop-out values that are of interest:

$$P = U * I * \cos \varphi \text{ or } Q = U * I * \sin \varphi$$

### Test hookup and initial settings

1. Connect for testing as shown in the above diagram.
  - a. Connect the Sverker separate 0-120 V AC voltage source to the protective relay equipment voltage input.
  - b. Connect the Sverker current source to the protective relay equipment current input.
  - c. Connect the timer stop input (STOP) to the protective relay equipment trip output.
  - d. Also connect the separate 0-120 V AC voltage source to the voltmeter input.
  - e. If low currents are to be measured, connect the current source to the separate ammeter panel input.
2. Turn on power to Sverker using the mains switch.
3. Activate the desired stop condition for the timer by setting the stop input for a make and/or break function and for a live or dead contact.
4. Activate extra measurement of P or Q by calling up and using a menu on the display as follows:  
MODE - ▼ - 'Ω, φ, W, VA...' - CHG - ▼ - P(W) or Q(VAR) - SEL - ESC, whereupon the following will be shown on the display:  
ms - A - V mW.
5. Select the desired voltage range (0-60 or 60-120 V) for the separate AC voltage output by pressing the left button beneath the output.
6. Activate the AC voltage output by pressing the right button beneath the output. Then set the voltage.
7. Move the ammeter test point to the desired current output or to the separate ammeter panel input. This can be done step by step

with the A button located to the right of the display window. When a test point is selected, its indicator lamp lights.

### Pick-up and drop-out functions: P or Q > ON and P or Q > OFF

1. Turn on the Sverker current source by activating ON with the start switch (press the ▼ key once), whereupon the ON indicator lamp will light.
2. Increase the current until operation takes place ( $P > ON$  or  $Q > ON$ ), whereupon the Sverker TRIP indicator will glow steadily. If operation does not take place, reverse the polarity of the protective relay equipment voltage circuit.
3. Read the **P > ON** or **Q > ON** value on the display (U, I and P or Q).
4. If the freeze function has been activated, press the HOLD button twice to unfreeze the value shown.
5. Decrease the current until drop-out occurs ( $P > OFF$  or  $Q > OFF$ ), whereupon the TRIP indicator will be extinguished.
6. Read the **P > OFF** or **Q > OFF** value from the display window.
7. Decrease the current to 0.
8. Turn off the Sverker current source by setting the start switch to the OFF position.

### Operating times: P > ON + TIME DELAY or Q > ON + TIME DELAY

1. Turn on the Sverker current source by setting the start switch to the ON position, whereupon the ON indicator lamp will light.
2. Increase the current to  $1.5 \times P > ON$ .
3. Turn off the Sverker current source by setting the start switch to the OFF position.
4. Activate ON + TIME by means of the start switch, whereupon the timer will start and the current source will start to generate current.
5. When the protective relay equipment operates, the timer will stop automatically and the current source will be turned off automatically, whereupon the TRIP indicator will start to flash.
6. Read the **ON + TIME DELAY** value from the Sverker display.

7. Repeat the U > ON + TIME DELAY run two or three times to confirm its accuracy through repetition.
8. Decrease the current to 0.

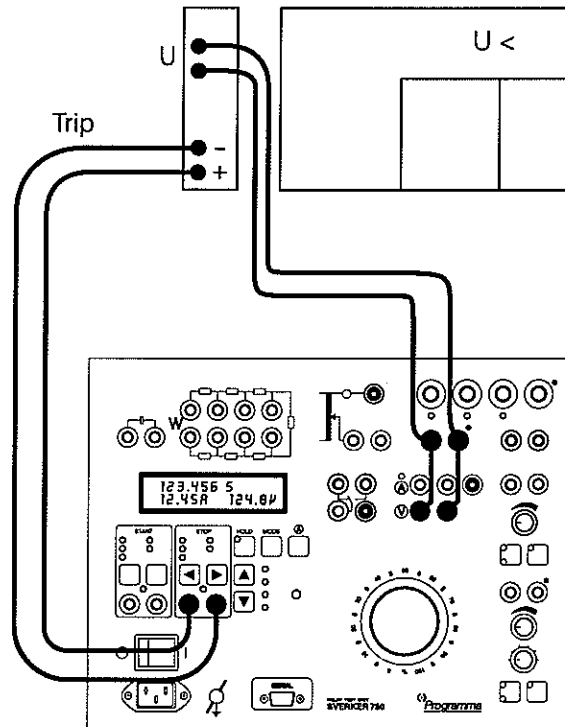
### Finishing the test

1. Enter the values read from the display into the test report.
2. Turn off power to Sverker using the mains switch.
3. Disconnect the equipment.

## 7.5 Testing under-voltage relays

The following functions are to be tested:

- Pick-up function: U < ON
- Drop-out function : U < OFF
- Operating time: U < ON + TIME DELAY



### Test hookup and initial settings

1. Connect for testing as shown in the above diagram.
  - a. Connect the 0-250 V AC voltage source output to the protective relay equipment.
  - b. Also connect this output to the voltmeter input.
  - c. Connect the timer stop input (STOP) to the relay trip/signal output.
2. Turn on power to Sverker using the mains switch.
3. Activate the desired stop condition for the timer by setting the stop input for a make and/or break function and for a wet or dry contact.

4. If the display window is to freeze the voltage reading at trip/signal time, check to see that the HOLD function is active (it can be activated by means of the HOLD button).
5. If the 0-250 V AC output is considered not sensitive enough, one of the following outputs can be selected: 0-10, 0-40 or 0-100 A. Alternatively, the voltage can be divided by means of the set of resistors included with the Sverker.
6. Repeat the U < ON + TIME DELAY run two or three times to confirm its accuracy through repetition.

### Finishing the test

1. Enter the values read from the display into the test report.
2. Turn off power to Sverker using the mains switch.
3. Disconnect the equipment.

### Pick-up and drop-out functions: U < ON and U < OFF

1. Turn on the Sverker current source by activating ON with the start switch (press the ▼ key once), whereupon the ON indicator lamp will light.
2. Increase the voltage to 1.1-1.2 x the relay voltage setting.
3. Decrease the voltage until operation occurs (U < ON), whereupon the Sverker TRIP indicator will start to glow steadily.
4. Read the **U < ON** value from the display window.
5. If the freeze function has been activated, press the HOLD button twice to unfreeze the value shown.
6. Increase the voltage until drop-out takes place (U < OFF), whereupon the TRIP indicator will be extinguished.
7. Read the U < OFF value from the display window.

### Operating time: U < ON + TIME DELAY

1. Turn on the Sverker main source by setting the start switch to the ON position, whereupon the ON indicator lamp will light.
2. Increase the voltage to 1.1-1.2 times the relay voltage setting (1.1-1.2 x U < ON).
3. Activate OFF + TIME using the start switch (press the ▼ key), whereupon the main source stops to generate voltage and the timer starts .
4. When the protective relay equipment operates, the time stops automatically, whereupon the TRIP indicator starts to flash.
5. Read the **U < ON + TIME DELAY** value from the display window.

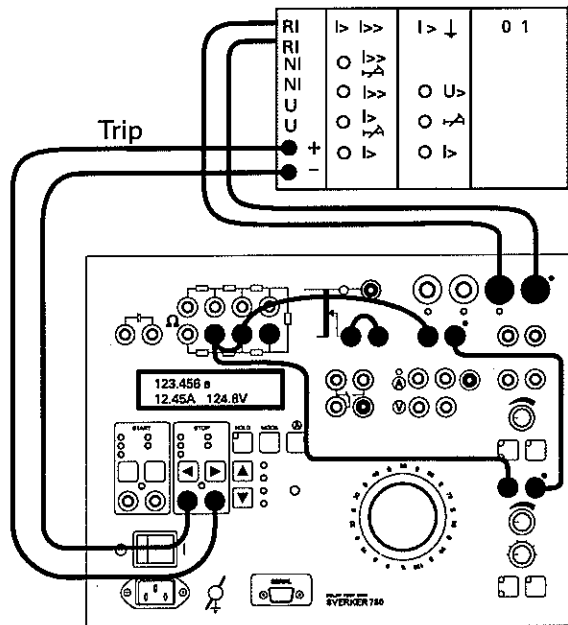
# 7.6 Testing motor overload releases and overcurrent cut-outs that grant/deny starting permission

selected. The fault current is set in the usual way with the main knob. The test is started by pressing ON+TIME, whereupon the normal-operation current changes to fault current and time measurement starts. This procedure provides you with the tripping times for the release/cut-out for a fault that occurs occurring during normal operation and also for a fault that prevents starting permission from being granted.

## Only for SVERKER 750

**Note!** This connection will damage a SVERKER 760.

Test equipment used for motor overload releases and overcurrent cut-outs that govern the granting or denial of starting permission must be able to provide both normal-operation current and fault current, and it must be possible to change between them without interrupting the test. Moreover, time measurement must start precisely when the change occurs.



The Sverker voltage source can supply the output transformer via a reverse circuit comprising two parallel-coupled resistors of 1000 Ω and 500 Ω. See illustration above. The normal-operation current is set from the voltage source, and it can be varied from 0 up to 6 A, depending on the impedance of the release/cut-out and the current output that was

# 8 Troubleshooting

## 8.1 General

Fault	Possible cause	Remedy
No output current from Sverker.	a) No mains voltage	Check that power cord is properly plugged in.
	b) Miniature circuit breaker F1 or F2 may have tripped.	Check miniature circuit breakers F1 and F2.
	c) The thermal cut-out may have tripped because of an overload.	This cut-out is reset automatically after a certain amount of time has elapsed.
The separate AC voltage source malfunctions.	The PTC resistor that serves as a thermal cut-out may have tripped because of an overload.	Wait. This cut-out is reset automatically after a certain amount of time has elapsed.
Auxiliary DC voltage source malfunctions.	The thermal cut-out (thermal relay) may have tripped because of an overload.	Wait. This cut-out is reset automatically after a certain amount of time has elapsed.
Make/break contact malfunctions.	Miniature circuit breaker F3 may have tripped.	Check the miniature circuit breaker.

## 8.2 Displayed values

Reading	Possible cause	Remedy
No current reading appears when measurements are made via the ammeter's panel input.	Miniature circuit breaker F4 may have tripped because the measured current exceeded 6 A.	Check the miniature circuit breaker.
Abnormal current readings are displayed.	The current is probably being measured at the wrong location (testpoint).	Check to see that the correct testpoint has been selected for the ammeter.
No voltage reading appears.	The voltmeter panel input is not connected.	Connect the voltmeter input.
Unexpectedly short operating times are shown.	Contact bounces are occurring in the protective relay equipment.	Connect the Sverker capacitor in parallel with the test object.
Fewer than the desired number of times appear in the time table after measuring reclosings.	The "delay off" function is activated (time that elapses after tripping before generation is stopped) and start and stop pulses are issued during the "delay off" period.	Shorten the "delay off" period or set it to 0. See Chapter 5 entitled "Making settings in the display".
The phase-angle is not 0° though the knob (44) is in the most left position.	You have connected a Sverker adjusted for 230 V / 50 Hz to 230 V / 60 Hz.	The switch selecting 50 or 60 Hz inside Sverker 760 has to be set to the right position, see section 10.1
No phase-angle reading (or jumping values)	No current generated. Both current and voltage must be generated.	Press "ON" to generate the current.

## 8.3 Error messages etc.

Reading	Possible cause	Remedy
Flashing value	The value shown is less than 1% of the range being used.	
O.F.	Means overflow and indicates that the range being used has been exceeded. One possible cause is that the measurement cycle proceeded to rapidly to permit the range to be switched automatically.	You should thus repeat the measurement. Since range switching data is stored in a memory, your second try may very well be successful.
----	No value can be displayed. This occurs (for example) in connection with cycles that are much too fast.	
BAD START CONDITION		Select another start condition.
BAD STOP CONDITION		Select another stop condition.
CHECKSUM ERROR	Internal fault in Sverker.	Contact your closest Programma representative.
RAM ERROR	Internal fault in Sverker.	Contact your closest Programma representative.

# 9 Specifications

## 9.1 General

The following specifications are for an ambient temperature of +25°C (+77°F) and nominal input voltage. Sverker is designed to comply with EU standards as set forth in IEC 1010 and also with EU EMC directives.

The specifications are subject to change without notice.

### Maximum load times for different currents

Range (A AC)	Current used (A AC)	Load time, maximum	Recovery time, minimum (minutes)
100	200	1 s (3 times)	5
	150	3 s (5 times)	10
	100	1 minute	15
	75	10 minutes	45
	50	30 minutes	100
	30	Continuous	–
40	80	1 s (3 times)	5
	60	3 s (5 times)	10
	40	1 minute	15
	30	10 minutes	45
	20	30 minutes	100
	12	Continuous	–
10	20	2 s (3 times)	5
	15	5 s (5 times)	10
	10	2 minutes	15
	7.5	15 minutes	45
	5	Continuous	–

### The voltage outputs of the current source

Range	No-load voltage, minimum	Full-load voltage, minimum	Full-load current, maximum	Full-load time, maximum	Recovery time, minimum
0-250 V AC	290 V AC	250 V AC	3 A AC	10 minutes	45 minutes
0-300 V DC	320 V DC	250 V DC	2 A DC	10 minutes	45 minutes

The DC voltage output provides rectified, smoothed AC. The maximum current should not be used while any of the current outputs are being used.

**NOTE!** Time-limited (max-time) generation should be used for times shorter than 1 minute.

### Separate AC voltage source

This output is protected by a PTC resistor.

Moreover, it is equipped with two 400 V transient voltage suppressors (transils). One is located between the output contacts, and the other between the output contact marked with a dot and ground (earth).

### Sverker 750

Range (V AC)	No-load voltage, min (V AC)	Full-load voltage, min (V AC)	Full-load current, max (A AC)
0-60 (steps of 10 V)	70	60	0.25
60-120 (steps of 10 V)	130	120	0.25

### Sverker 760

Range (V AC)	No-load voltage, min (V AC)	Full-load voltage, min (V AC)	Full-load current, max (A AC)
0-130	145	130	0.25 continuously 0.35 / 1 minute
Phase-angle	Resolution	Accuracy	
0-359°	1°	±2°	

## Auxiliary DC voltage output

Range (V DC)	Voltage (V DC)	Max current (mA DC)
20-130	20	300
	40	325
	60	355
	80	385
	90-130	400
130-220	130	325
	150	355
	170	385
	180-220	400

The auxiliary voltage output is stabilized and also shortcircuit proof.

Moreover, it is equipped with two 400 V transient voltage suppressors (transils). One is located between the output contacts, and the other between the black output contact and ground (earth)

The respective max currents can be used continuously at high output voltages in either of the two ranges. When the respective max currents are used at low voltages in either range, a temperature monitor will trip after a while, and the voltage will be shut off. However, the voltage will be restored as the temperature drops.

## 9.3 Inputs

### Timer inputs

These inputs are equipped with 400 V transient voltage suppressors (transils) at three locations:

- Between the input contacts.
- Between the black input contact and ground (earth).
- Between the red input contact and ground (earth).

### Potential state

Parameter	Min	Type	Max	Unit
High changeover level, DC, IVIHIDC	20			V DC
Low changeover level, DC, IVILIDC			5	V DC
High voltage level, AC, IVIHAC <sup>1</sup>	60			V ACrms
Low voltage level, AC, IVILAC			3	
V ACrms Input current at high level, AC/DC, IIIHI	1		5	mA

<sup>1</sup> This high voltage is needed to provide correct time readings.

### Contact state

Parameter	Min	Type	Max	Unit
High changeover resistance, R <sub>IH</sub>	3			kΩ
Low changeover resistance, R <sub>IL</sub>			750	Ω
Output current with short-circuited input	7		13	mA DC
Internal supply voltage V <sub>s</sub>		20		V DC

**Maximum values**

Parameter	Max	Unit
Max input voltage, DC, I <sub>VIN</sub> DC	275	V DC
Max input voltage, AC, I <sub>VIN</sub> AC	250	V ACrms

**External ammeter input****Maximum values for external current measurement**

Parameter	Max	Unit
Max current, DC	6	A
Max current, AC	6	Arms

**Voltmeter input****Maximum values for external voltage measurement**

Parameter	Max	Unit
Max voltage, DC	600	V
Max voltage, AC	600	Vrms

## 9.4 Make/Break contact

The make/break contact is equipped with a 1 A miniature circuit breaker

Make/break contact 400 V transient voltage suppressors (transils) are provided at three locations:

- Between common contact and ground.
- Between common contact and break contact.
- Between common contact and make contact.

**Normal use**

Function	Time error between current and make/break contact
Current start	±1 ms (max)
Current end	0 - 30 ms

**Breaker state simulation**

Function	Time error between current and the make/break contact
Current start (reclosing)	±1 ms (max)
Current end (trip)	0 - 10 ms

**Maximum values**

Parameter	Max	Unit
Max current	1	A
Max voltage, AC	250	V AC
Max voltage, DC	120	V DC

## 9.5 Measurement section

### Timer

Time can be displayed in seconds or in mains-frequency cycles.

#### Specifications for the time expressed in seconds

Range	Resolution	Accuracy
000-9.999 s	1 ms	$\pm (1 \text{ ms} + 0.01 \%)$
10.00-99.99 s	10 ms	$\pm (10 \text{ ms} + 0.01 \%)$
100.0-9999.9 s	100 ms	$\pm (100 \text{ ms} + 0.01 \%)$

#### Specifications for time expressed in mains-frequency cycles

Range	Resolution	Accuracy
0.0-999.9 cycles	0.1 cycles	$\pm (0.1 \text{ cycles} + 0.01 \%)$
1000-4999995 cycles at 50 Hz	1 cycle	$\pm (1 \text{ cycle} + 0.01 \%)$
1000-5999994 cycles at 60 Hz	1 cycle	$\pm (1 \text{ cycle} + 0.01 \%)$

### Ammeter

Switching between ranges can be carried out either automatically or manually as desired.

The measured current can be displayed in amperes or as a percentage of a presettable nominal value.

AC current is measured as true RMS.

DC current is measured as a mean value.

The external current measurement input is protected by a 6 A miniature circuit breaker, and input resistance  $R_{in}$  is 0.22  $\Omega$ .

The values specified below are for measurement intervals (times) longer than 100 ms. The measurement error is greater for shorter measurement intervals.

#### Specifications for current in amperes

Test-point	Range	Resolution	Accuracy (% of reading + mA)
0-10 A	2 A AC	0.10 - 1.99 A AC: 10 mA AC	$\pm(1\% + 10 \text{ mA})$
	20 A AC	2.00 - 19.99 A AC: 10 mA AC	$\pm(1\% + 20 \text{ mA})$
0-40 A	8 A AC	0.40 - 7.99 A AC: 10 mA AC	$\pm(1\% + 10 \text{ mA})$
	80 A AC	8.00 - 79.99 A AC: 10 mA AC	$\pm(1\% + 80 \text{ mA})$
0-100 A	20 A AC	1.00 - 19.99 A AC: 10 mA AC	$\pm(1\% + 20 \text{ mA})$
	200 A AC	20.00 - 99.99 A AC: 10 mA AC 100.0 - 249.9 A AC: 100 mA AC	$\pm(1\% + 200 \text{ mA})$
Extern	0.6 A AC	0.000 - 0.599 A AC: 1 mA AC	$\pm(1\% + 2 \text{ mA})$
	6 A AC	0.600 - 5.999 A AC: 1 mA AC	$\pm(1\% + 20 \text{ mA})$
	0.6 A DC	0.000 - 0.599 A DC: 1 mA DC	$\pm(0.5\% + 2 \text{ mA})$
	6 A DC	0.600 - 5.999 A DC: 1 mA DC	$\pm(0.5\% + 20 \text{ mA})$

#### Specifications for current displayed as a percentage of a presettable nominal value.

Resolution Percentage	Resolution Nominal value	Accuracy
000 - 999%: 1%	000-999 A: 1 A	1%

### Voltmeter

Switching between ranges can be carried out either automatically or manually as desired.

The measured voltage can be displayed in volts or as a percentage of a presettable nominal value.

AC voltage is measured as a true RMS.

DC voltage is measured as a mean value.

The input is protected by a PTC resistor, and input resistance  $R_{in}$  is 220 k $\Omega$ .

The values specified below are for measurement intervals (times) longer than 100 ms. The measurement error is greater for shorter measurement intervals.

**Specifications for voltage displayed in volts**

Range	Resolution	Accuracy (% of reading + mV)
6 V AC	0.00 - 5.999 V AC: 10 mV AC	$\pm(1\% + 10 \text{ mV})$
60 V AC	6.00 - 59.99 V AC: 10 mV AC	$\pm(1\% + 20 \text{ mV})$
600 V AC	60.00 - 99.99 V AC: 10 mV AC 100.0 - 599.9 V AC: 100 mV AC	$\pm(1\% + 200 \text{ mV})$
6 V DC	0.00 - 5.99 V DC: 10 mV DC	$\pm(0.5\% + 10 \text{ mV})$
60 V DC	6.00 - 59.99 V DC: 10 mV DC 60.00 - 99.99 V DC: 10 mV DC	$\pm(0.5\% + 20 \text{ mV})$
600 V DC	100.0 - 599.9 V DC: 100 mV DC	$\pm(0.5\% + 200 \text{ mV})$

**Specifications for voltage displayed as a percentage of a presettable nominal value.**

Resolution Percentage	Resolution Nominal value	Accuracy
000 - 999%: 1%	000 - 999 A: 1 A	$\pm 1\%$

**Reclosing test**

Maximum number of reclosings	Max testing time for all reclosings	Resolution at max testing time
49 times	999 s	1 s

**Extra measurements****Power factor and phase angle measurements**

The following specifications are for voltages and current readings that are higher than 10% of the selected range.

Item and unit	Range	Resolution	Accuracy
Power factor $\cos \varphi$	-0.99 (cap) to +0.99 (ind)	0.01	$\pm 0.04$
Phase angle $\varphi$ (°)	000 - 359°	1°	$\pm 2^\circ$

The following items can be measured for AC:

- $\cos \varphi$
- $\varphi$  in (°) with current as reference (Iref)
- $\varphi$  in (°) with voltage as reference (° ,Uref)

**Impedance- and power measurements**

For these measurements, the result is calculated using 2 or 3 items. The measurement error obtained depends on the measurement errors for the items included (U, I and sometimes  $\varphi$ ).

Range (X represents one of the items listed below)	Resolution
000 - 999 mX	0.001
1.00 - 9.99 X	0.01
10.0 - 99.9 X	0.1
100 - 999 X	1
1.00 - 9.99 kX	10
10.0 - 99.9 kX	100
100 - 999 kX	1000

For AC, the following items (X above) can be measured:

- Z ( $\Omega$  and °)
- Z ( $\Omega$ )
- R and X ( $\Omega$  and  $\Omega$ )
- P (W)
- S (VA)
- Q (VAr)

For DC, the following items (X above) can be measured:

- R ( $\Omega$ )
- P (W)

## 9.6 Other

### Injection

#### Maintained

Injection continues without any time limitation.

#### Momentary

Injection continues only as long as be button is kept depressed.

Minimum momentary injection time is 0.1 s.

#### Max time

Injection stops automatically when the preset maximum time is reached.

Max injection time: 99.9 s.

Resolution at max time: 0.1 s.

### Filtering

If filtering was selected, five successive readings are averaged. The following can be filtered:

- Current
- Voltage
- Extra items that are measured

### Off delay

The turning off of generation can be delayed after tripping throughout a specified time interval that is expressed in mains-frequency cycles.

Max off delay: 999 mains-frequency cycles.

Resolution at max off delay: 1 cycle.

### Memories

There are four memories numbered 0 through 3.

### Languages

The menus, prompts etc. can be expressed in one of five languages: English, German, French, Spanish or Swedish.

### Set of resistors

Resistor ohmage	Max current
0.5 $\Omega$	10 A
1 $\Omega$	7 A
25 $\Omega$	2 A
100 $\Omega$	0.7 A
500 $\Omega$	0.3 A
1 k $\Omega$	0.22 A
2.5 k $\Omega$	0.11 A

### Capacitor (Sverker 750)

Capacitance: 10  $\mu$ F

Max voltage: 450 V AC

### Mains

Mains voltage	Max. Input current	Rated mains frequencies
230 V AC $\pm$ 10%	6 A	50 - 60 Hz
115 V AC $\pm$ 10%	12 A	50 - 60 Hz

### Weight

Sverker 750	Sverker 760	Transport case
17.3 kg (38.1 lbs)	17.9 kg (39.5 lbs)	8.0 kg (17.6 lbs)

### Dimensions

	Sverker 750/760	Transport case
Width	350 mm (13.8")	610 mm (24.0")
Depth	270 mm (10.6")	275 mm (10.8")
Height	220 mm (8.7")	350 mm (13.8")

### Ambient temperatures

#### During use

0 to +50°C ( +32 to +122°F)

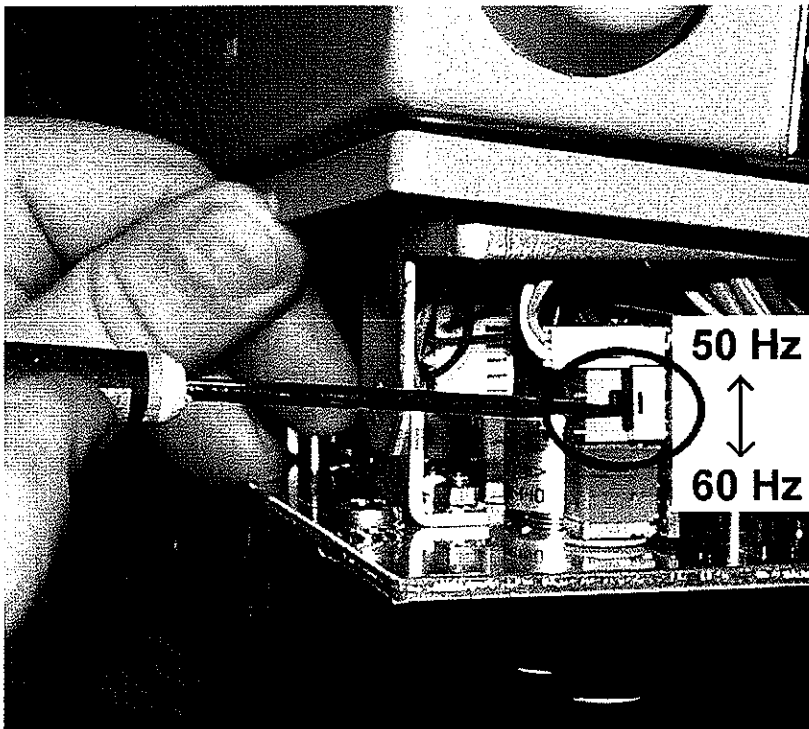
#### During transportation

-40 to +70°C ( -40 to +158°F)

# 10 Maintenance

## 10.1 Changing the position of the switch for mains frequency (Sverker 760)

1. Disconnect Sverker 760 from the mains.
2. Remove the 8 screws on the bottom of Sverker 760.
3. Lift the hood about 5 cm (2 inches).
4. Set the switch to the right position, see picture below.



# Index

## Symbols

0-Level filter ..... 36

## A

AC Voltage source ..... 14, 23

Ammeter ..... 33

Ammeter & voltmeter ..... 13, 22

Application examples ..... 54

Automatic recloser ..... 52

Auxiliary voltage ..... 47

Auxiliary voltage source ..... 14, 23

## B

Break contact ..... 15, 24

Button functions ..... 27

## C

Capacitor ..... 15, 24

Change numerical value ..... 27

Computer interface ..... 16

Control panel ..... 17

Current source ..... 10, 19

## D

Direction indicator ..... 27

Directional ground-fault relay system ..... 57

Directional overcurrent relay ..... 57

Display ..... 12, 21, 35

## E

External cycle time ..... 50

## F

Finding pick-up and drop-out limits ..... 43

## G

Generating higher voltages ..... 46

## H

High currents ..... 41

## I

Injecting current ..... 39

Injection ..... 32

## L

Language ..... 38

Low currents ..... 41

## M

Magnetization curve ..... 51

Maintenance ..... 73

Make/Break contact ..... 15, 24

Making settings ..... 26

Measuring current ..... 40

Measuring voltage ..... 45

Menu system ..... 30

## N

Numerical value ..... 27

Numerical value change ..... 27

## O

Off delay ..... 36

Operate ..... 39

Operating times ..... 44, 45

Overcurrent relays ..... 55

## P

Phase angle ..... 46, 49

Phase difference ..... 48

Pick-up and drop-out limits ..... 42

Power relays ..... 60

Power supply ..... 16, 25

## R

Recall ..... 37

Remote control ..... 37

Resistor set and capacitor ..... 15

## S

Safety regulations ..... 6

Save/Recall ..... 37

Select current output ..... 40

Set of resistors and capacitor ..... 24

Setting mode ..... 26

Setting the desired current ..... 41

Software ..... 38

Specifications ..... 67

SW ..... 38

## T

Test mode ..... 32

Testing directional over-current relay ..... 57

Testing motor overload releases .....	64
Testing over-current relays .....	55
Testing power relays .....	60
Testing under-voltage relays .....	62
Testing voltage relays .....	54
Timer .....	11, 20, 35
Start conditions	11
Stop conditions	11
Trip indicator .....	12, 21
Trip pulse length .....	53
Troubleshooting .....	65

## **U**

Undervoltage relays .....	62
---------------------------	----

## **V**

Voltage relays .....	47, 54
Voltage source .....	14, 23
Voltmeter .....	13, 22, 33



© Progettina